



Product / Process Change Notification (PCN)

- Major change
 Minor change

PCN #: PCN_IndLQS_2_20240520 Affected Series: WE-LQS-Series; 74404032xxxx, 74404031xxxA PCN Date: February 20, 2024 Effective Date: May 20, 2024	Change Category: <input type="checkbox"/> Equipment / Location <input checked="" type="checkbox"/> General Data <input type="checkbox"/> Material <input type="checkbox"/> Process <input type="checkbox"/> Product Design <input type="checkbox"/> Shipping / Packaging <input type="checkbox"/> Supplier <input type="checkbox"/> Software
Contact: Product Management Phone: +49 (0) 7942 - 945 5001 Fax: +49 (0) 7942 - 945 5179 E-Mail: pcn.eisos@we-online.com	Data Sheet Change: <input checked="" type="checkbox"/> Yes <input type="checkbox"/> No Attachment: <input type="checkbox"/> Yes <input checked="" type="checkbox"/> No

Description and purpose of change:
 Because of a database mismatch, Würth Elektronik will update the datasheet of WE-LQS 74404032xxxx and 74404031xxxA.

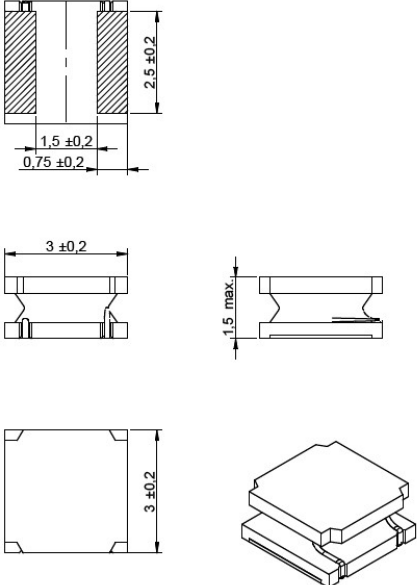
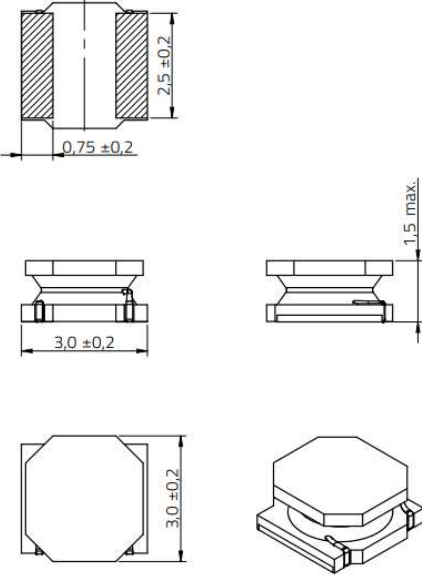
 This is a datasheet correction only. There will be no change in form, fit, function, quality or reliability of the product.

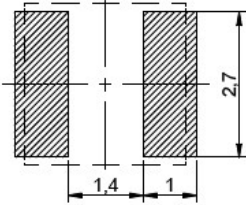
Detail of Change:
 Affected part numbers:

74404031xxxA				
74404031010A	74404031027A	74404031047A	74404031068A	74404031100A
74404031150A	74404031220A	74404031330A	74404031470A	744040320047

74404032xxx				
74404032010	74404032015	74404032022	74404032033	74404032047
74404032068	74404032100	74404032101	74404032150	74404032220
74404032330	74404032470	74404032680	-	-

A wrong CAD article drawing will be replaced by a corrected one.
 The recommended Land Pattern stays the same.

CAD drawing before the datasheet correction	CAD drawing after the datasheet correction
	

Recommended Land Pattern


Reliability / Qualification Summary:

There will be no change of the product, therefore no additional reliability or qualification testing will be performed. (for e.g. datasheet correction or changes without changing the product)