



## Quartz Crystal Specification

IQD Part No. + Packaging: LFX TAL081314Reel

Würth Part No. 830108131401



### Description

- Quartz crystal in a ceramic package with a electro beam sealed metal lid.
- Model IQXC-240
- Model Issue number 4

### Frequency Parameters

- Frequency 37.40MHz
- Frequency Tolerance  $\pm 7.00$ ppm
- Frequency Stability  $\pm 15.00$ ppm
- Operating Temperature Range  $-30.00$  to  $85.00$ °C
- Overtone Order Fundamental

### Electrical Parameters

- Load Capacitance (CL) 5.00pF
- Shunt Capacitance (C0) 5pF max
- Drive Level 100 $\mu$ W max
- ESR 60.00 $\Omega$  max

### Environmental Parameters

- Storage Temperature Range:  $-55$  to  $125$ °C

### Compliance

- RoHS Status (2015/863/EU) Compliant
- REACH Status Compliant
- MSL Rating (JDEC-STD-033): Not Applicable

### Packaging Details

- Pack Style: Reel Tape & reel in accordance with EIA-481D  
Pack Size: 5,000
- *Alternative packing option available*

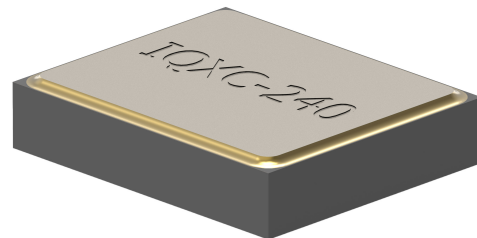
## USEFUL LINKS

#### Toolbox:

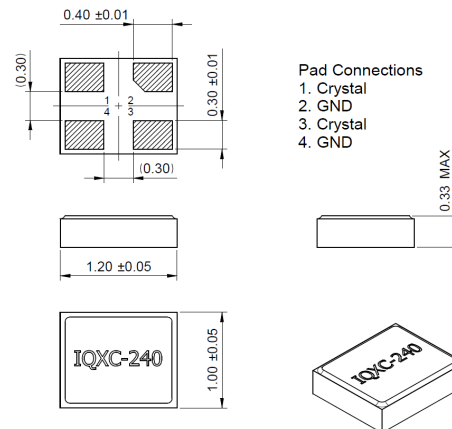
[www.we-online.com/toolbox](http://www.we-online.com/toolbox)

#### Product Catalog:

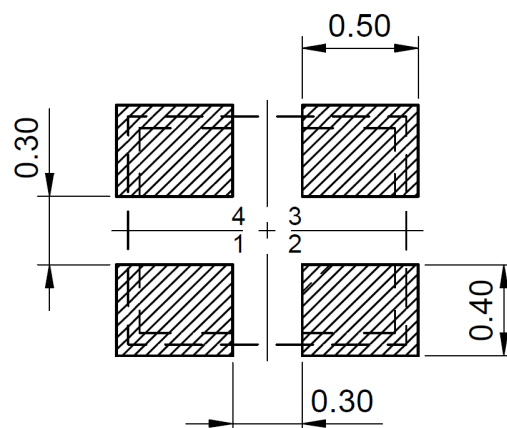
[www.we-online.com/products](http://www.we-online.com/products)



### Outline (mm)



### Recommended Solder Pad Layout



### CONTACT INFORMATION:

Würth Elektronik eiSos GmbH & Co. KG  
Max-Eyth-Str. 1, 74638 Waldenburg, Germany  
Tel: +49(0) 7942 945-0

Email: [eiSos@we-online.de](mailto:eiSos@we-online.de)  
Web: [www.we-online.com](http://www.we-online.com)