

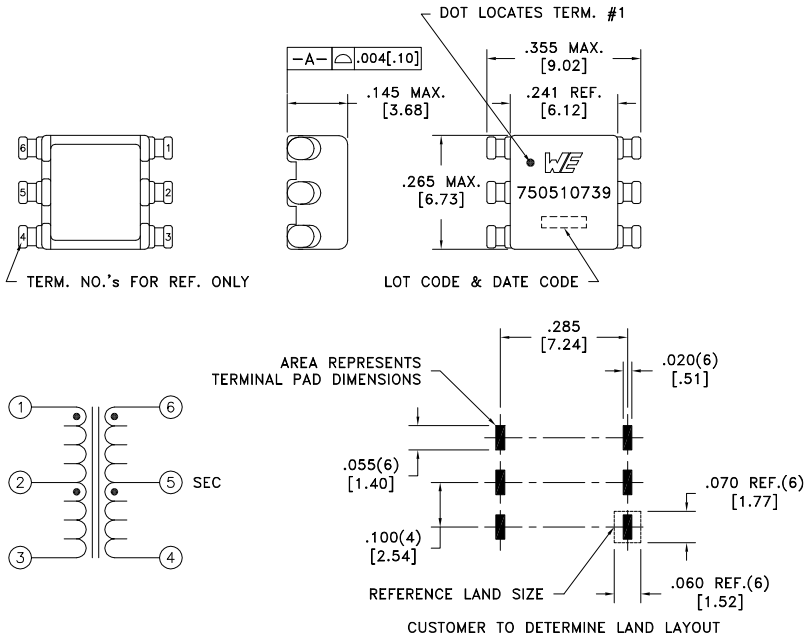
CUSTOMER TERMINAL	RoHS	LEAD(Pb)-FREE
Sn98%, Cu2%	Yes	Yes

more than you expect



ELECTRICAL SPECIFICATIONS @ 25°C unless otherwise noted:

PARAMETER	TEST CONDITIONS	VALUE
D.C. RESISTANCE	1-3 @20°C	0.202 ohms ±15%
D.C. RESISTANCE	6-4 @20°C	0.235 ohms ±15%
INDUCTANCE	1-3 10kHz, 100mVAC, Ls	96uH min.
LEAKAGE INDUCTANCE	1-3 tie(6+4), 100kHz, 100mVAC, Ls	1uH typ., 3uH max.
INTERWINDING CAPACITANCE	1-6 100kHz, 10mVAC, Cs	7.0pF typ., 15.0pF max.
DIELECTRIC	1-6 1875VAC, 1 second	1500VAC, 1 minute
TURNS RATIO	(6-4):(1-3)	1.25:1, ±1%
INSERTION LOSS	1M - 250M	-1.00dB typ., -1.5dB max.



GENERAL SPECIFICATIONS:

OPERATING TEMPERATURE RANGE: -40°C to +85°C.

Designed to comply with the following requirements as defined by IEC60950-1, EN60950-1, UL60950-1/CSA60950-1 and AS/NZS60950.1:

- Functional insulation for a primary circuit at a working voltage of 265Vrms, 400Vpeak, Overvoltage Category II.

Wire insulation & RoHS status not affected by wire color.  
Wire insulation color may vary depending on availability.

REV.	DATE	Packaging Specifications Method: Tape & Reel PKG-0548 www.we-online.com/midcom		Tolerances unless otherwise specified: Angles: ±1° Fractions: ±1/64 Decimals: ±.005 [.13] Footprint: ±.005 [.13]	DRAWING TITLE <b>TRANSFORMER</b>	PART NO. <b>750510739</b>
6A	5/17	SEE REVISION SHEET FOR REVISION LEVEL	CONVENTION PLACEMENT	This drawing is dual dimensioned. Dimensions in brackets are in millimeters.	eiSos p/n: 750510739	SPECIFICATION SHEET 1 OF 1