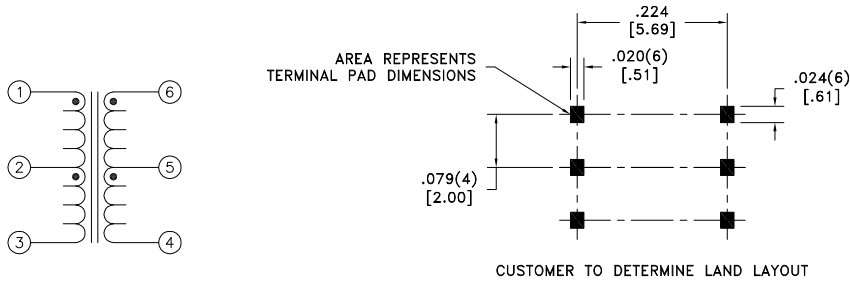
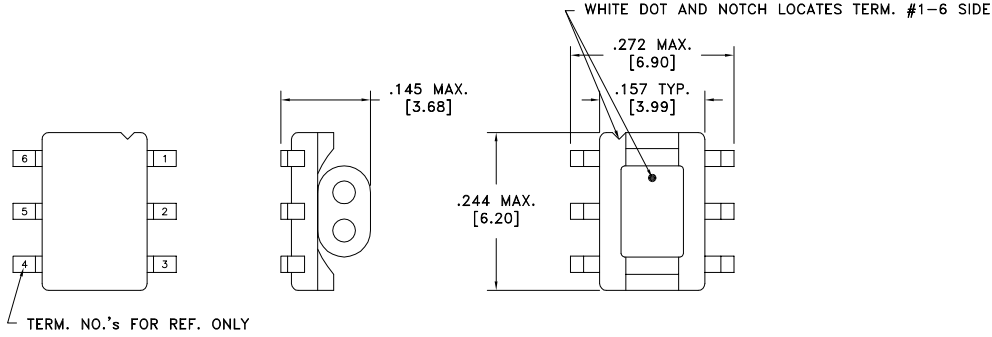


CUSTOMER TERMINAL	RoHS	LEAD(Pb)-FREE
Sn96%, Ag4%	Yes	Yes

more than you expect



**ELECTRICAL SPECIFICATIONS @ 25°C unless otherwise noted:**

PARAMETER	TEST CONDITIONS	VALUE
D.C. RESISTANCE	1-3 @20°C	0.19 ohms max.
D.C. RESISTANCE	6-4 @20°C	0.19 ohms max.
INDUCTANCE	1-3 100kHz, 10mVAC, Ls	75uH min.
LEAKAGE INDUCTANCE	1-3 tie(6+4), 100kHz, 10mVAC, Ls	300nH max.
CAPACITANCE	1-6 100kHz, 100mVAC, Cs	10pF max.
DIELECTRIC	1-6 1875VAC, 1 second	-
URNS RATIO	(1-3):(6-4)	1:1 ±2%

**GENERAL SPECIFICATIONS:**

OPERATING TEMPERATURE RANGE: -40°C to +85°C.

COPLANARITY: All 6 terminals must lie on a plane within .004 [.10] of Surface A after lead tinning.

Wire insulation & RoHS status not affected by wire color.  
Wire insulation color may vary depending on availability.

DETAILS SUBJECT TO CHANGE

REV.	DATE	Packaging Specifications Method: <b>Tape &amp; Reel</b> PKG-1058 www.we-online.com/midcom		Tolerances unless otherwise specified: Angles: ±1° Fractions: ±1/64 Decimals: ±.005 [.13] Footprint: ±.005 [.13]	DRAWING TITLE <b>TRANSFORMER</b>	PART NO. <b>750510721</b>
6A	10/16	SEE REVISION SHEET FOR REVISION LEVEL		This drawing is dual dimensioned. Dimensions in brackets are in millimeters.	eiSos p/n: 750510721	SPECIFICATION SHEET 1 OF 1