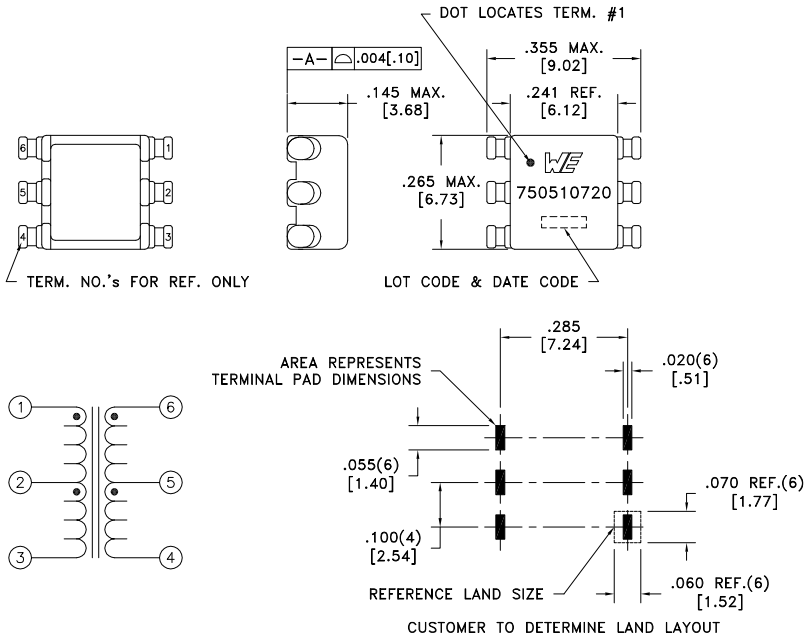


CUSTOMER TERMINAL	RoHS	LEAD(Pb)-FREE
Sn96%, Ag4%	Yes	Yes

more than you expect



ELECTRICAL SPECIFICATIONS @ 25°C unless otherwise noted:

PARAMETER	TEST CONDITIONS	VALUE
D.C. RESISTANCE	1-3 @20°C	0.132 ohms max.
D.C. RESISTANCE	6-4 @20°C	0.142 ohms max.
INDUCTANCE	1-3 100kHz, 10mVAC, Ls	40uH min.
LEAKAGE INDUCTANCE	1-3 tie(6+4), 100kHz, 10mVAC, Ls	300nH max.
CAPACITANCE	1-6 100kHz, 100mVAC Cs	10pF max.
DIELECTRIC	1-6 1875VAC, 1 second	-
URNS RATIO	(1-3):(6-4)	1:1, ±2%

GENERAL SPECIFICATIONS:

OPERATING TEMPERATURE RANGE: -40°C to +85°C.

COPLANARITY: All 6 terminals must lie on a plane within .004 [.10] of Surface A after lead tinning.

Wire insulation & RoHS status not affected by wire color.
Wire insulation color may vary depending on availability.

DETAILS SUBJECT TO CHANGE

REV.	DATE	Packaging Specifications Method: Tape & Reel PKG-0548 www.we-online.com/midcom		Tolerances unless otherwise specified: Angles: ±1° Fractions: ±1/64 Decimals: ±.005 [.13] Footprint: ±.005 [.13]	DRAWING TITLE TRANSFORMER	PART NO. 750510720
6A	12/16	SEE REVISION SHEET FOR REVISION LEVEL	CONVENTION PLACEMENT	This drawing is dual dimensioned. Dimensions in brackets are in millimeters.	eiSos p/n: 750510720	SPECIFICATION SHEET 1 OF 1