

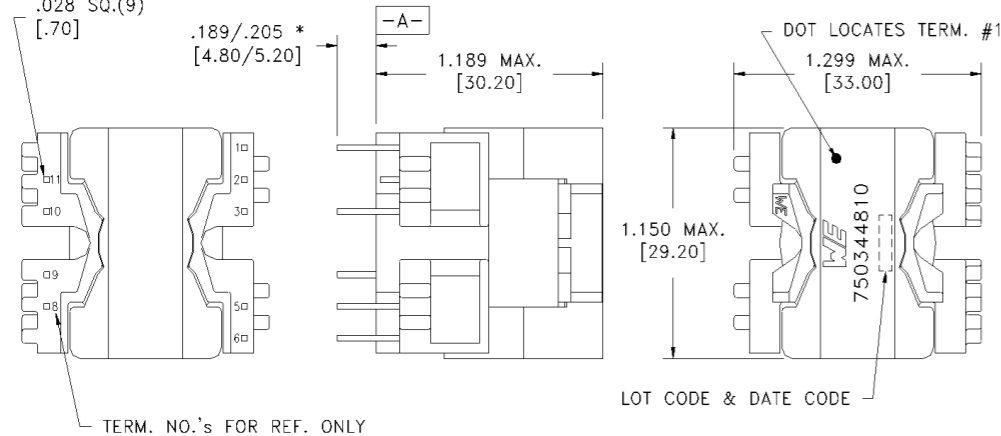
| | | |
|-------------------|------|----------------|
| CUSTOMER TERMINAL | RoHS | LEAD(Pb)--FREE |
| Sn 96%, Ag 4% | Yes | Yes |

more than you expect



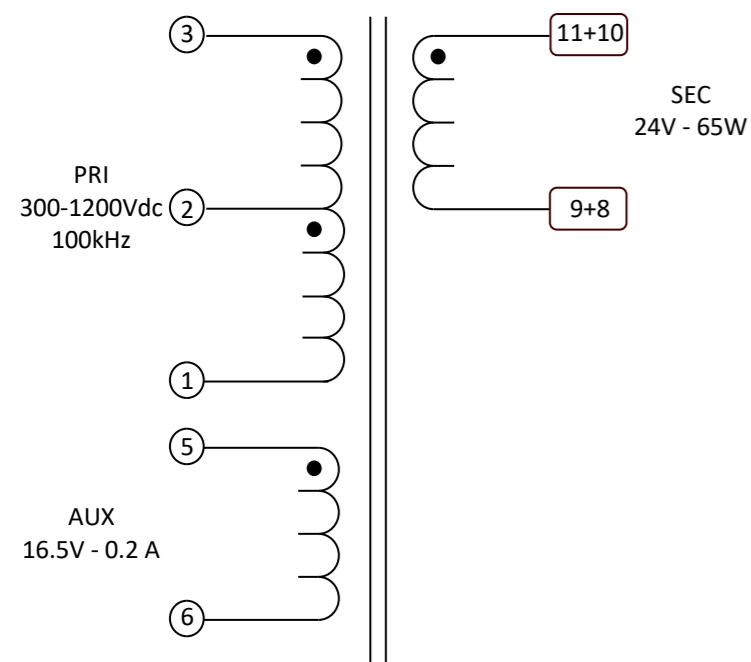
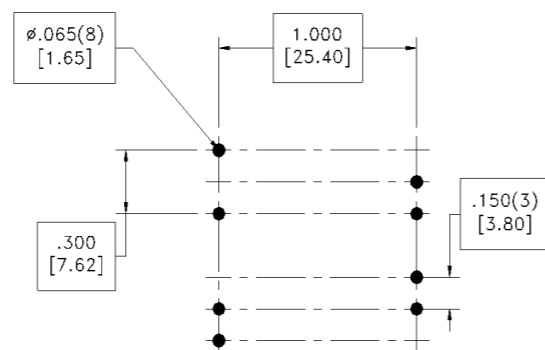
PART MUST INSERT FULLY TO SURFACE A IN RECOMMENDED GRID
.028 SQ.(9)
[.70]

* DIMENSION MAY BE EXCEEDED WITH SOLDER ONLY



ELECTRICAL SPECIFICATIONS @ 25° C unless otherwise noted:

| PARAMETER | TEST CONDITIONS | VALUE |
|--------------------|---|-------------------|
| D.C. RESISTANCE | 1-3 @20°C | 0.68 ohms max. |
| D.C. RESISTANCE | 5-6 @20°C | 0.13 ohms max. |
| D.C. RESISTANCE | 11-8 tie(8+9,10+11), @20°C | 0.016 ohms max. |
| INDUCTANCE | 1-3 100KHz, 100mV, Ls | 840.00µH ±10% |
| LEAKAGE INDUCTANCE | 1-3 tie(5+6+8+9+10+11), 100kHz, 100mV, Ls | 22µH max. |
| DIELECTRIC | 1-9 tie(3+5,8+9+10+11), 4000VDC, 1 second | 3200VDC, 1 minute |
| DIELECTRIC | 1-6 2000VDC, 1 second | |
| TURNS RATIO | (3-1):(5-6) | 15:1 |
| TURNS RATIO | (3-1):(11-8), tie(8+9,10+11) | 10:1 |



GENERAL SPECIFICATIONS:

OPERATING TEMPERATURE RANGE: -40°C to +125°C including temp rise.

Designed to comply with the following requirements as defined by IEC62477-1

Basic insulation for a primary circuit at a working voltage of 1200VDC, OVC II, Pollution Degree 2.

Application of the transformer allows for the leadwires between terminals 8 & 9, 10 & 11 to solder bridge.

Customer to tie terminals 8+ 9 and 10 + 11 on PC board.

Wire insulation & RoHS status not affected by wire color. Wire insulation color may vary depending on availability. Marking detail font and color may vary on preproduction samples.

| | | | | | | |
|------|-----------|--------------------------|--------------------------|--|-------------------------------------|------------------------------|
| DFM | | Packaging Specifications | CONVENTION PLACEMENT | Tolerances unless otherwise specified: Angles: ±1° Decimals: ±.005 [.13] Fractions: ±1/64 Footprint: ±.001 [.03] | DRAWING TITLE TRANSFORMER | PART NO. 750344810 |
| DATE | | Method: 0 PKG-1200 | | This drawing is dual dimensioned. Dimensions in brackets are in millimeters. | | |
| ENG | NWU | | | | | |
| REV. | 02 | | | | | |
| DATE | 2020/11/6 | www.we-online.com/midcom | | | | SPECIFICATION SHEET 1 OF 1 |