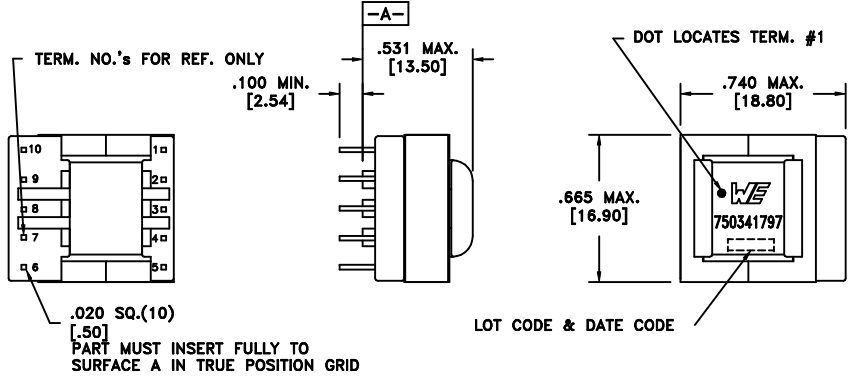


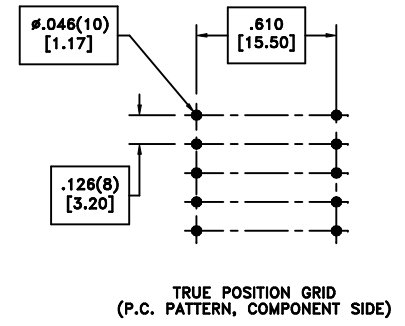
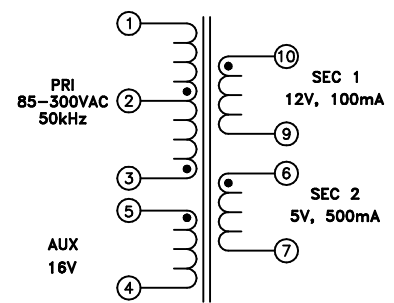
CUSTOMER TERMINAL	RoHS	LEAD(Pb)-FREE
Sn96%, Ag4%	Yes	Yes

more than you expect



**ELECTRICAL SPECIFICATIONS @ 25°C unless otherwise noted:**

PARAMETER	TEST CONDITIONS	VALUE
D.C. RESISTANCE	1-3 @20°C	6.69 ohms ±10%
D.C. RESISTANCE	4-5 @20°C	1.4 ohms ±10%
D.C. RESISTANCE	6-7 @20°C	0.074 ohms ±10%
D.C. RESISTANCE	9-10 @20°C	0.51 ohms ±10%
INDUCTANCE	3-1 50kHz, 100mVAC, Ls	2 mH ±10%
LEAKAGE INDUCTANCE	3-1 tie(4+5,6+7+9+10), 100kHz, 100mVAC, Ls	60 uH max.
DIELECTRIC	1-6 tie(3+4, 7+9), 3750VAC, 1 second	3000VAC, 1 second
DIELECTRIC	1-4 1000VAC, 1 second	-
DIELECTRIC	6-core tie(7+9)/3750VAC, 1 second	3000VAC, 1 second
TURNS RATIO	(3-1):(5-4)	4.21:1, ±2%
TURNS RATIO	(3-1):(6-7)	12.3:1, ±2%
TURNS RATIO	(3-1):(10-9)	5.52:1, ±2%



**GENERAL SPECIFICATIONS:**

OPERATING TEMPERATURE RANGE: -40°C to +125°C including temp rise.

Designed to comply with the following requirements as defined by IEC60950  
 - Reinforced insulation for a primary circuit at working voltage of 450VDC.

Wire insulation & RoHS status not affected by wire color.  
 Wire insulation color may vary depending on availability.

REV.	DATE	Packaging Specifications Method: Tray PKG-0730 www.we-online.com/midcom		Tolerances unless otherwise specified: Angles: ±1° Fractions: ±1/64 Decimals: ±.005 [13] Footprint: ±.001 [03]	DRAWING TITLE <b>TRANSFORMER</b>	PART NO. <b>750341797</b>
00	03/13	SEE REVISION SHEET FOR REVISION LEVEL		This drawing is dual dimensioned. Dimensions in brackets are in millimeters.	eiSos p/n: 750341797	SPECIFICATION SHEET 1 OF 1