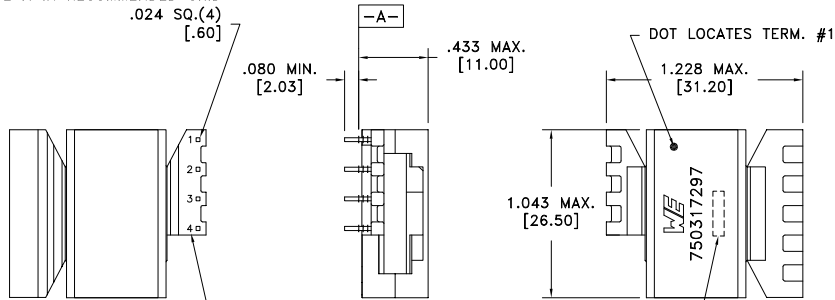


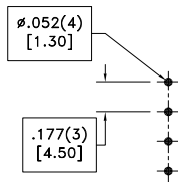
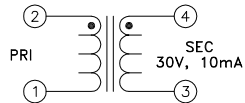
CUSTOMER TERMINAL	RoHS	LEAD(Pb)-FREE
Sn96%, Ag4%	Yes	Yes



PART MUST INSERT FULLY TO SURFACE A IN RECOMMENDED GRID .024 SQ.(4) [.60]



TERM. NO.'s FOR REF. ONLY



RECOMMENDED P.C. PATTERN, COMPONENT SIDE

ELECTRICAL SPECIFICATIONS @ 25°C unless otherwise noted:

PARAMETER	TEST CONDITIONS	VALUE
D.C. RESISTANCE	2-1 @20°C	0.047 ohms ±20%
D.C. RESISTANCE	3-4 @20°C	0.109 ohms ±20%
INDUCTANCE	2-1 10kHz, 100mVAC, Ls	77.50uH ±5%
SATURATION CURRENT	2-1 20% rolloff from initial	7A
DISTRIBUTED CAPACITANCE	2-1 100mVAC, Cs	17.5pF typ., 30.0pF max.
DIELECTRIC	1-4 500VAC, 1 minute	500VAC, 1 second
TURNS RATIO	(2-1):(4-3)	10:1, ±1%

GENERAL SPECIFICATIONS:

OPERATING TEMPERATURE RANGE: -40°C to +125°C including temp rise.

Wire insulation & RoHS status not affected by wire color.
 Wire insulation color may vary depending on availability.

REV.	DATE	Packaging Specifications Method: Tray PKG-1189 www.we-online.com/midcom		Tolerances unless otherwise specified: Angles: ±1° Fractions: ±1/64 Decimals: ±.005 [.13] Footprint: ±.001 [.03]	DRAWING TITLE INDUCTOR	PART NO. 750317297
6A	10/18	SEE REVISION SHEET FOR REVISION LEVEL		This drawing is dual dimensioned. Dimensions in brackets are in millimeters.	eiSos p/n: 750317297	SPECIFICATION SHEET 1 OF 1