

CUSTOMER TERMINAL	RoHS	LEAD(Pb)-FREE
Sn96%, Ag4%	Yes	Yes

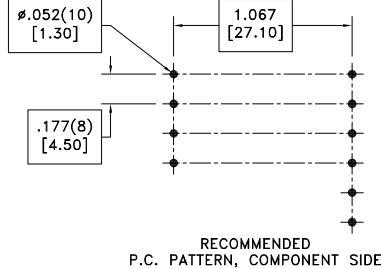
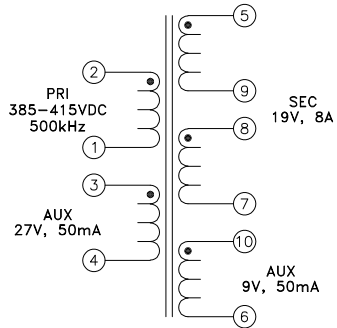
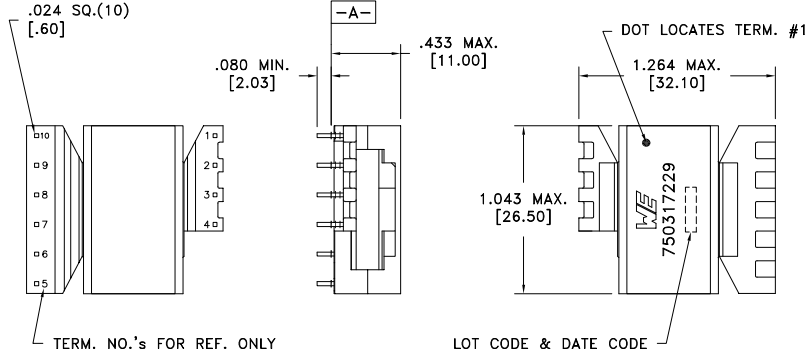
more than you expect



ELECTRICAL SPECIFICATIONS @ 25°C unless otherwise noted:

PARAMETER	TEST CONDITIONS	VALUE	
D.C. RESISTANCE	2-1	@20°C	0.140 ohms ±10%
D.C. RESISTANCE	3-4	@20°C	0.190 ohms ±15%
D.C. RESISTANCE	5-9	@20°C	0.008 ohms max.
D.C. RESISTANCE	8-7	@20°C	0.008 ohms max.
D.C. RESISTANCE	10-6	@20°C	0.093 ohms ±15%
INDUCTANCE	2-1	10kHz, 100mVAC, Ls	190.00uH ±10%
SATURATION CURRENT	2-1	20% rolloff from initial	2.3A
LEAKAGE INDUCTANCE	2-1	tie(3+4, 5+6+7+8+9+10), 100kHz, 100mVAC, Ls	4uH typ., 8uH max.
DISTRIBUTED CAPACITANCE	2-1	100mVAC, Cs	20.0pF typ., 35.0pF max.
INTERWINDING CAPACITANCE	2-5	tie(8+9), 100kHz, 10mVAC, Cs	32.0pF typ., 50.0pF max.
6B DIELECTRIC	1-10	tie(2+3, 5+6+7), 3000VAC, 1 minute	3000VAC, 1 second
6B DIELECTRIC	1-Core	tie(2+3+5+6+7), 500VAC, 1 second	-
URNS RATIO	(2-1):(3-4)		7.33:1, ±1%
URNS RATIO	(2-1):(5-9)		11:1, ±1%
URNS RATIO	(2-1):(8-7)		11:1, ±1%
URNS RATIO	(2-1):(10-6)		22:1, ±1%

PART MUST INSERT FULLY TO SURFACE A IN RECOMMENDED GRID .024 SQ.(10) [.60]



Application of the transformer allows for the leadwires between terminals 8&9 to solder bridge.

GENERAL SPECIFICATIONS:

OPERATING TEMPERATURE RANGE: -40°C to +125°C including temp rise.

Designed to comply with the following requirements as defined by IEC60950-1, EN60950-1, UL60950-1/CSA60950-1 and AS/NZS60950.1:

- Reinforced insulation for a primary circuit at a working voltage of 265Vrms, 400Vpeak, Overvoltage Category II.

Wire insulation & RoHS status not affected by wire color. Wire insulation color may vary depending on availability.

REV.	DATE	Method: Tray PKG-1189 www.we-online.com/midcom		Tolerances unless otherwise specified: Angles: ±1° Fractions: ±1/64 Decimals: ±.005 [.13] Footprint: ±.001 [.03]	DRAWING TITLE TRANSFORMER	PART NO. 750317229
6C	8/22			This drawing is dual dimensioned. Dimensions in brackets are in millimeters.	eiSos p/n: 750317229	compliant RoHS
6B	4/19					
6A	10/18	SEE REVISION SHEET FOR REVISION LEVEL				