

CUSTOMER TERMINAL	RoHS	LEAD(Pb)-FREE
Sn96%, Ag4%	Yes	Yes

more than you expect



ELECTRICAL SPECIFICATIONS @ 25°C unless otherwise noted:

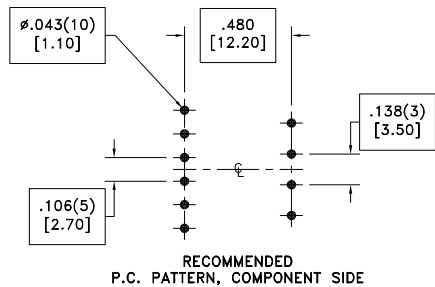
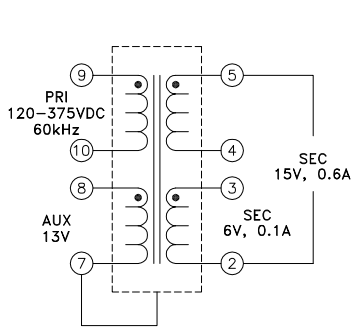
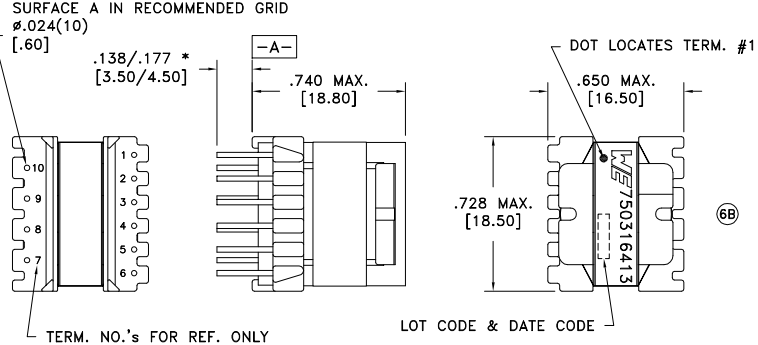
PARAMETER	TEST CONDITIONS	VALUE
D.C. RESISTANCE	9-10 @20°C	2.600 ohms ±10%
D.C. RESISTANCE	8-7 @20°C	1.100 ohms ±10%
D.C. RESISTANCE	3-2 @20°C	0.058 ohms ±10%
D.C. RESISTANCE	4-5 @20°C	0.087 ohms ±10%
INDUCTANCE	9-10 10kHz, 100mVAC, Ls	1.50mH ±10%
SATURATION CURRENT	9-10 20% rolloff from initial	0.70A
LEAKAGE INDUCTANCE	9-10 tie(7+8, 2+3+4+5), 100kHz, 100mVAC, Ls	50uH typ., 75uH max.
DIELECTRIC	9-3 tie(8+9, 3+5), 1875VAC, 1 second	1500VAC, 1 minute
URNS RATIO	(9-10):(8-7)	5.38:1, ±1%
URNS RATIO	(9-10):(3-2)	11.67:1, ±1%
URNS RATIO	(9-10):(5-4)	7.78:1, ±1%

GENERAL SPECIFICATIONS:

OPERATING TEMPERATURE RANGE: -40°C to +125°C including temp rise.

Designed to meet functional insulation only.

PART MUST INSERT FULLY TO SURFACE A IN RECOMMENDED GRID \* DIMENSION MAY BE EXCEEDED WITH SOLDER ONLY



Wire insulation & RoHS status not affected by wire color.  
 Wire insulation color may vary depending on availability.

REV.	DATE	Packaging Specifications Method: Tray PKG-0967 www.we-online.com/midcom		Tolerances unless otherwise specified: Angles: ±1° Fractions: ±1/64 Decimals: ±.005 [1.3] Footprint: ±.001 [1.03]	DRAWING TITLE <b>TRANSFORMER</b>	PART NO. <b>750316413</b>
6B	7/17	SEE REVISION SHEET FOR REVISION LEVEL	CONVENTION PLACEMENT	This drawing is dual dimensioned. Dimensions in brackets are in millimeters.	eiSos p/n: 750316413	
6A	6/17					SPECIFICATION SHEET 1 OF 1