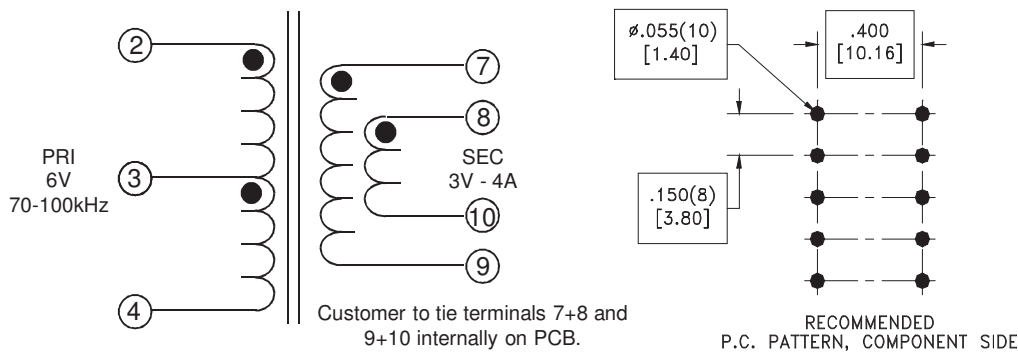
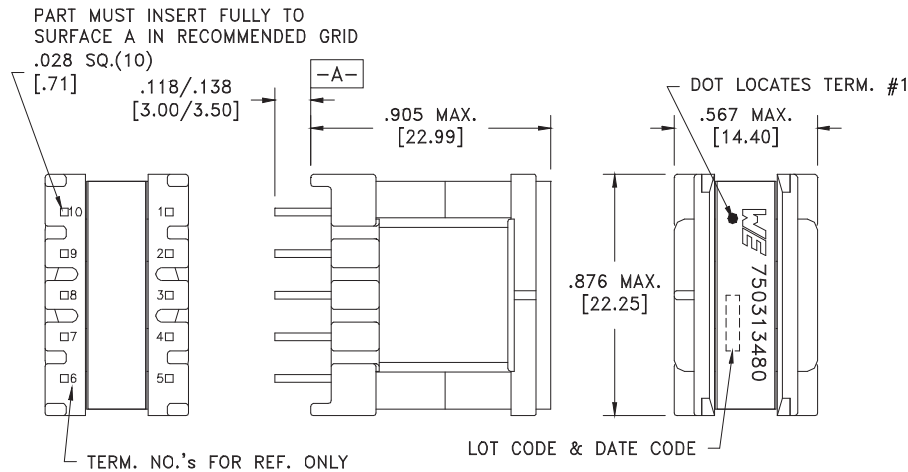


CUSTOMER TERMINAL	RoHS	LEAD(Pb)-FREE
Sn96%, Ag4%	Yes	Yes



ELECTRICAL SPECIFICATIONS @ 25°C unless otherwise noted:

D.C. RESISTANCE (@20°C):	2-3 , 0.098 Ohms ±10%. 2-4 , 0.230 Ohms ±10%. 7-9 , 0.173 Ohms ±10%. 8-10 , 0.173 Ohms ±10%.
DIELECTRIC RATING:	3000VAC, 1 minute tested by applying 3750VAC for 1 second between pins 2-10 (tie 7+8).
INDUCTANCE:	50µH ±10%, 10kHz, 100mVAC, 0mADC, 2-3, Ls. 200µH ±10%, 10kHz, 100mVAC, 0mADC, 2-4, Ls.
SATURATION CURRENT:	1.7A saturating current that causes 20% rolloff from initial inductance between pins 2-4. 3.5A saturating current that causes 20% rolloff from initial inductance between pins 2-3.
LEAKAGE INDUCTANCE:	0.7µH typ, 1.4µH max, 100kHz, 100mVAC, 2-3(tie 7+8+9+10), Ls.
LEAKAGE INDUCTANCE:	1.3µH typ, 2.5µH max, 100kHz, 100mVAC, 2-4(tie 7+8+9+10), Ls.
URNS RATIO:	(3-4):(2-3), (1):(1.00), ±1%. (8-10):(7-9), (1):(1.00), ±1%. (7-9):(2-3), (2):(1.00), ±1%.

Reference Design

Designed to comply with the following requirements as defined by IEC60950-1, EN60950-1, UL60950-1/CSA60950-1 and AS/NZS60950.1:
- Reinforced insulation for a primary circuit at a working voltage of 400VDC.

OPERATING TEMPERATURE RANGE: -40°C to 125°C including temp. rise.

Wire insulation & RoHS status not affected by wire color. Wire insulation color may vary depending on availability.

Würth Electronics Midcom Inc.
Watertown, SD USA
Toll Free: 800-643-2661
Fax: 605-886-4486

Unless otherwise specified, tolerances are as follows:
Angles: ±1° Fractions: ±1/64
Decimals: ±.005 (.127mm)

Drawing Title
Transformer

Revisions: See Sheet 1

more than you expect

Drawing Number	Rev.
750313480	00