

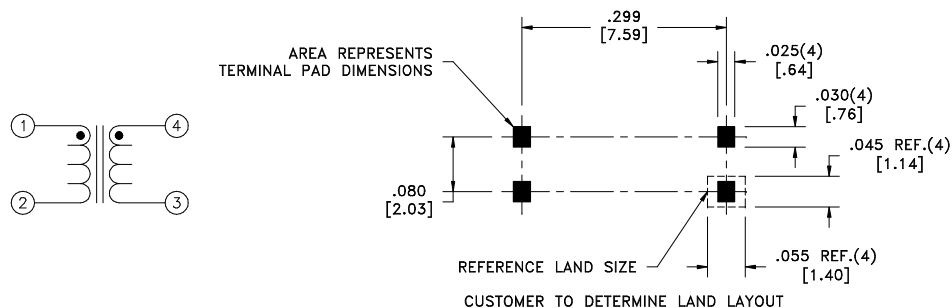
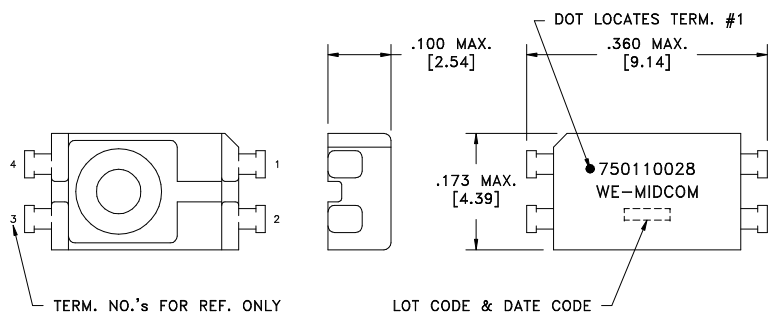
CUSTOMER TERMINAL	RoHS	LEAD(Pb)-FREE
Sn98%, Cu2%	Yes	Yes

more than you expect



ELECTRICAL SPECIFICATIONS @ 25°C unless otherwise noted:

PARAMETER	TEST CONDITIONS	VALUE
D.C. RESISTANCE	1-2 @20°C	0.230 ohms max.
D.C. RESISTANCE	4-3 @20°C	0.230 ohms max.
INDUCTANCE	1-2 10kHz, 100mVAC, Ls	115uH ±30%
DIELECTRIC	1-4 3750VAC, 1 second	3000VAC, 1 minute
URNS RATIO	(4-3):(1-2)	1:1, ±1%
SURGE TEST	6kV Peak	1.2 x 50uS



Ⓟ GENERAL SPECIFICATIONS:  
 OPERATING TEMPERATURE RANGE: -20°C to +85°C.  
 STORAGE TEMPERATURE RANGE: -40°C to +105°C.

Wire insulation & RoHS status not affected by wire color.  
 Wire insulation color may vary depending on availability.

REV.	DATE	Packaging Specifications Method: <b>Tape &amp; Reel</b> PKG-0509 www.we-online.com/midcom		Tolerances unless otherwise specified: Angles: ±1°      Decimals: ±.005 [.13] Fractions: ±1/64      Footprint: ±.005 [.13]	DRAWING TITLE <b>TRANSFORMER</b>	PART NO. <b>750110028</b>
6B	10/10	SEE REVISION SHEET FOR REVISION LEVEL	CONVENTION PLACEMENT	This drawing is dual dimensioned. Dimensions in brackets are in millimeters.	eiSos p/n: 750110028	
6A	1/10					SPECIFICATION SHEET 1 OF 1