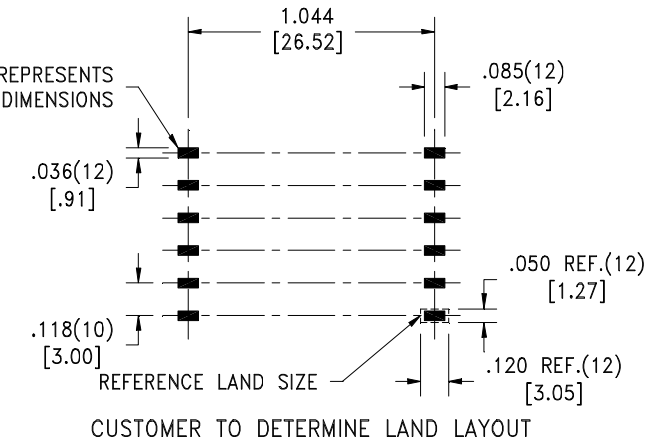
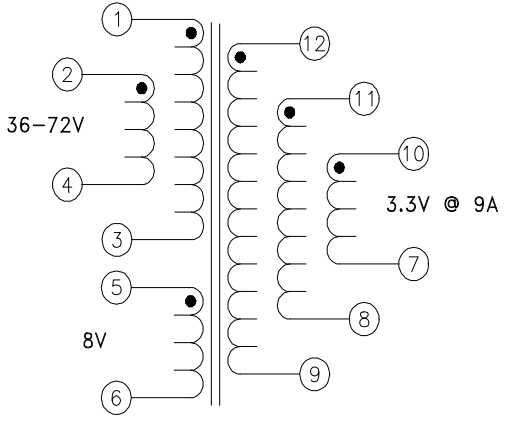
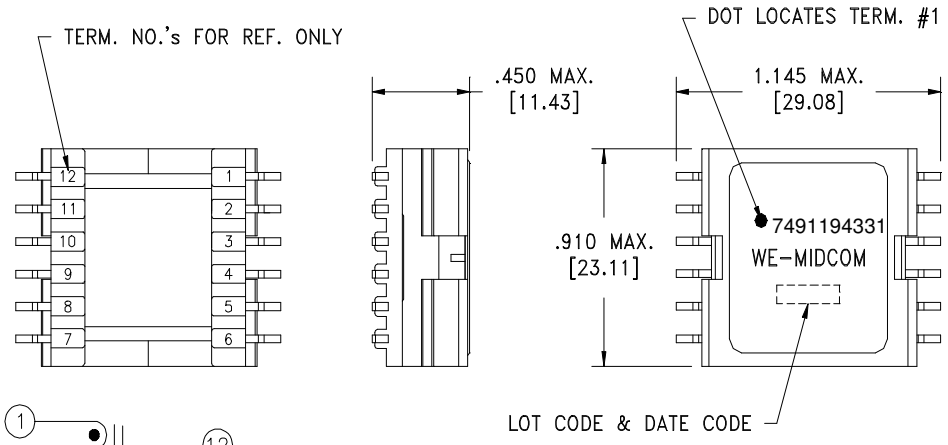


CUSTOMER TERMINAL	RoHS	LEAD(Pb)-FREE
Sn96%, Ag4%	Yes	Yes



Application of the transformer allows for the following groups of terminals to solder bridge: 1&2, 3&4, 10&11&12, and 7&8&9.

ELECTRICAL SPECIFICATIONS @ 25°C unless otherwise noted:

- D.C. RESISTANCE (@20°C): 1-3 (tie 1+2,3+4), 0.100 Ohms ±20%.
7-12 (tie 7+8+9,10+11+12), 0.007 Ohms max.
5-6, 0.115 Ohms ±20%.
- DIELECTRIC RATING: 1500VAC, 1 minute tested by applying 1875VAC for 1 second between pins 1-12(tie 1+2, 10+11+12).
- INDUCTANCE: 42.0µH ±10%, 250kHz, 700mVAC, 0mADC, 1-3(tie 1+2,3+4), Ls.
42.0µH ±10%, 250kHz, 700mVAC, 2.6ADC, 1-3(tie 1+2,3+4), Ls.
- LEAKAGE INDUCTANCE: 2.5µH max., 250kHz, 100mVAC, 1-3(tie 1+2,3+4,5+6,7+8+9+10+11+12), Ls.
- URNS RATIO:
(1-3):(12-7), (11):(1), ±1%.
(1-3):(11-8), (11):(1), ±1%.
(1-3):(10-9), (11):(1), ±1%.
(1-3):(5-6), (4.13):(1), ±1%.
(1-3):(2-4), (1):(1), ±1%.

OPERATING TEMPERATURE RANGE: -40°C to 125°C.

Midcom, Inc. Watertown, SD USA Toll Free: 800-643-2661 Fax: 605-886-4486	Unless otherwise specified, tolerances are as follows: Angles: ±1° Fractions: ±1/64 Decimals: ±.005(.127mm)		Midcom, Inc.	
	Drawing Title Transformer		Drawing Number 7491194331	Rev. 00
Revisions: See Sheet 1		Scale ----	Sheet 2 of 5	
Engineer:PLP		08/18/2008		

This drawing is dual dimensioned. Dimensions in brackets are in millimeters