

Würth Elektronik ICS GmbH & Co. KG

Intelligent Power & Control Systems

Gewerbepark Waldzimmern · Würthstraße 1 · 74676 Niedernhall · Germany

phone.: +49 7940 9810-0 · Fax: +49 7940 9810-1099

ics@we-online.com · www.we-online.com/ics



Central Electrical Unit

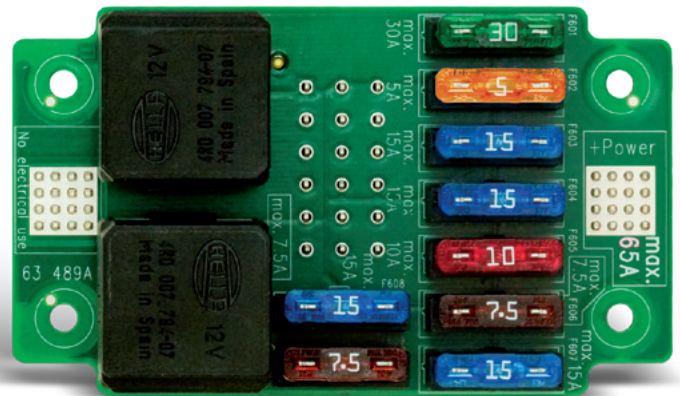
9-2 Module

Ref : 63489A

REDLINE

Features

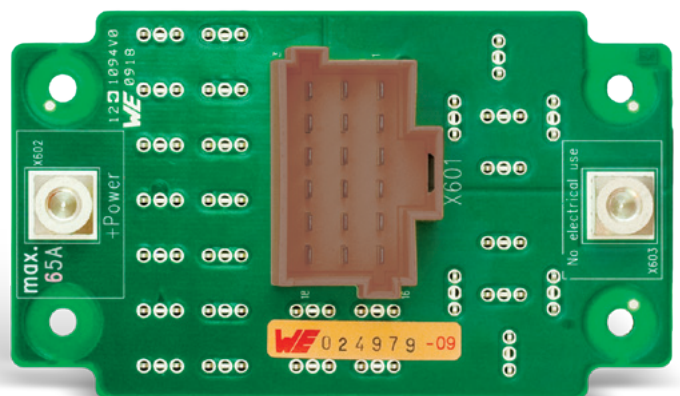
- Power supply 12 V or 24 V onto 1 Powerelement (+Power)
- 7 ATO fuseholders (up to 15 A)
- 2 ATO fuseholders (15 A & 30 A) for relay protection
- 2 Mini relay bases
- Cable harness connection on the rear side of the module via JPT/MCP compatible, 3 row / 18 way connector



Front View

Options

- Fly wheel diode (SM4007) in parallel of relay coil
- Installation of fuses and / or relays according to customer requirements



Rear View

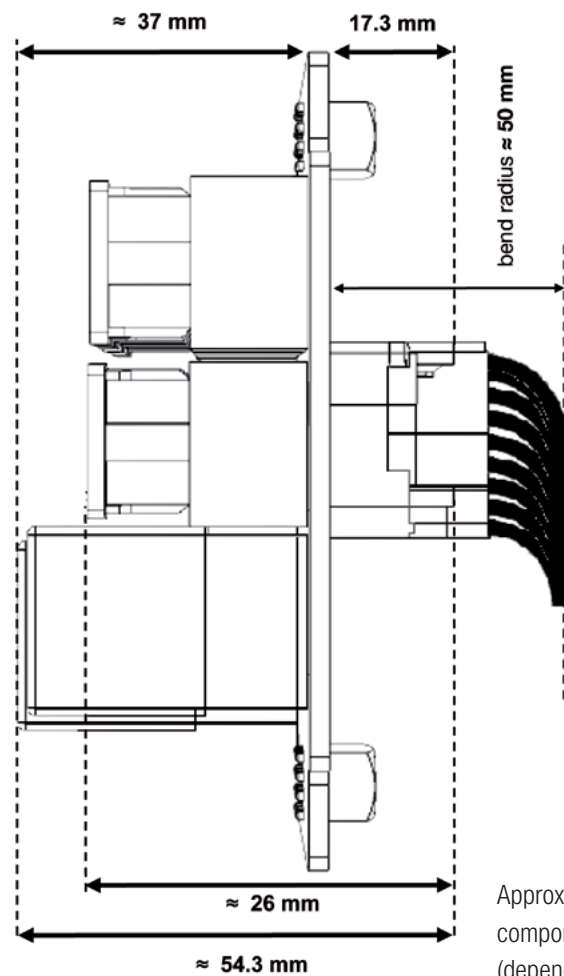
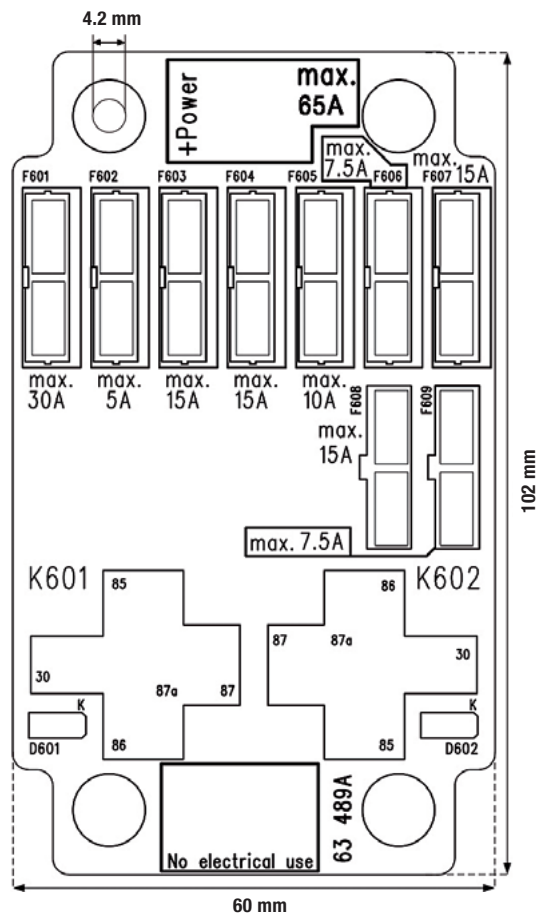
Applications

Switching and protection of common functions in vehicles such as front and rear lights, fuel pump, radio, clock, accessories, air conditioning, ABS, light switches etc.

Central Electrical Unit

9-2 Module

Dimensions



Approximate component size (depending on components)

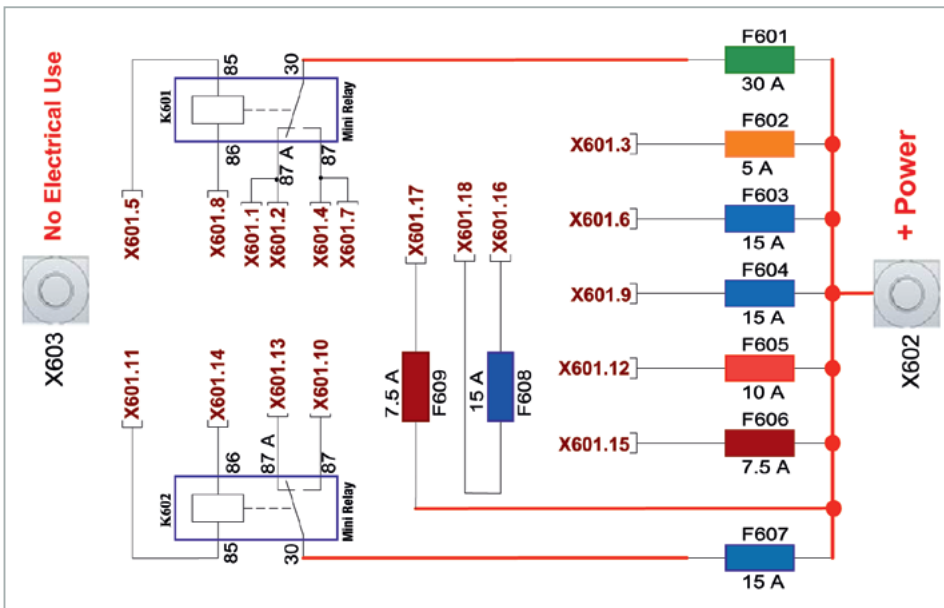
Technical Data

Temperature range	-40 °C to +80 °C
Max. supply current	Max. 65 A by 80 °C ambient
Output connection	JPT/MCP compatible: 3 row / 18 way brown connector
Input connection (power stud)	Powerelement bush M5 16 pins Max. mounting torque: 2.2 Nm

Central Electrical Unit

9-2 Module

Electrical Schematic

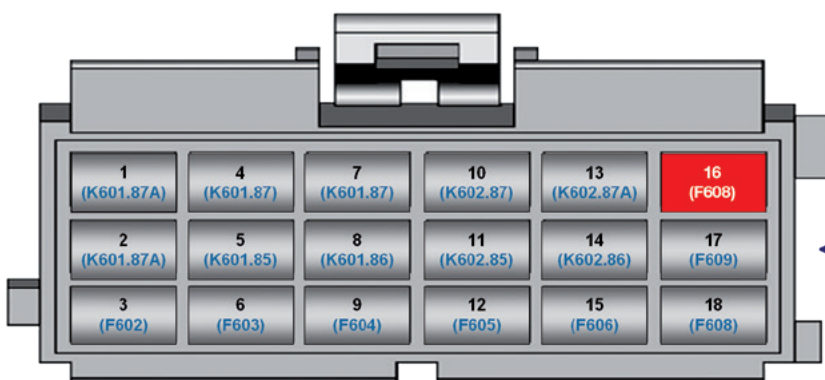


Fuse Rate Table

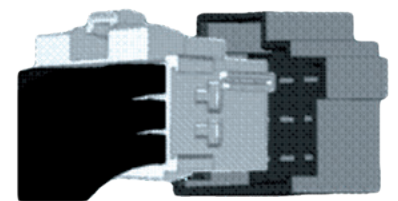
Fuse connected to +Power	Amperate Max.
1	5 A
2	7.5 A
1	10 A
3	15 A
1	30 A

Stand alone fuse	Amperate Max.
1	15 A

Connector: 1 brown JPT 18 (X601)



Female connector required for cable harness connection (view on cable entry)



Male Plug on board

Pin outs on the connector correspond to the associated component on the board.
(i.e. component F608 is connected to pin 16 from connector X601)