

Würth Elektronik ICS GmbH & Co. KG

Intelligent Power & Control Systems

Gewerbepark Waldzimmern · Würthstraße 1 · 74676 Niedernhall · Germany

Phone: +49 7940 9810-0 · Fax: +49 7940 9810-1099

ics@we-online.com · www.we-online.com/ics



## Central Electrical Unit

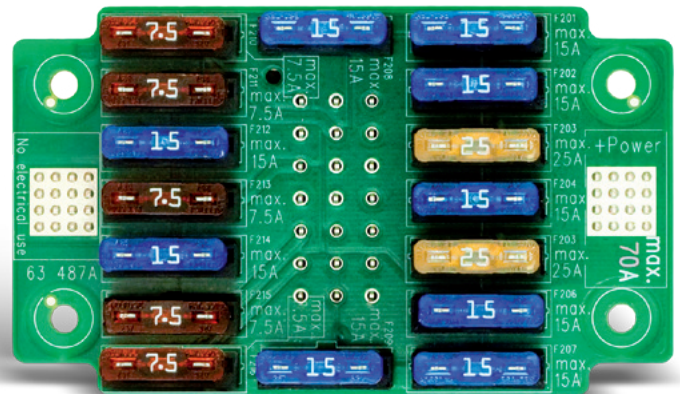
# 16-0 Module

Ref : 63487

REDLINE

## Features

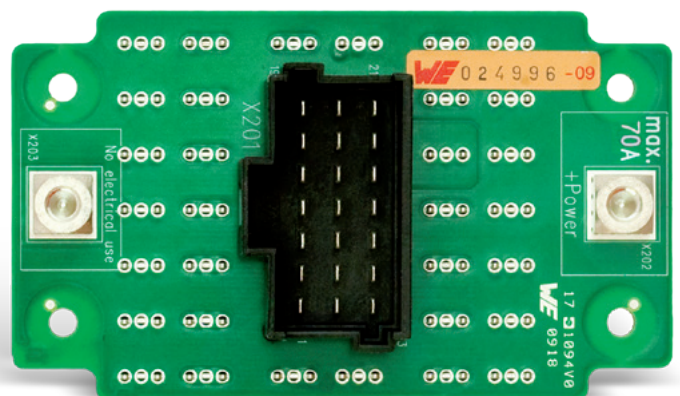
- Power supply 12 V or 24 V onto 1 Powerelement (+Power)
- 16 ATO fuseholders (up to 25 A)
- Cable harness connection on the rear side of the module via JPT/MCP compatible: 3 row, 21 way connector



Front View

## Options

- Installation of fuses or circuit breakers according to customer requirements



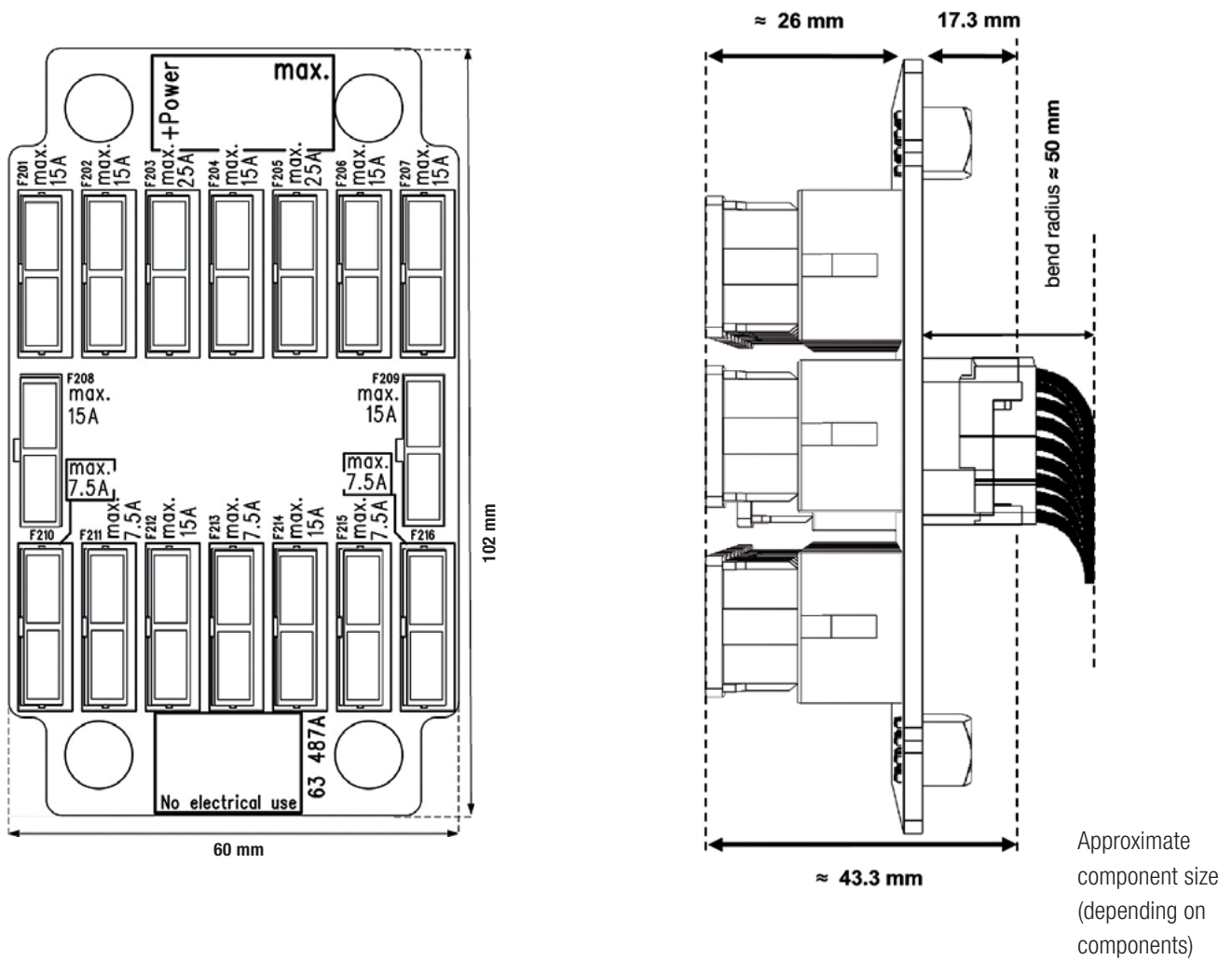
Rear View

## Applications

Switching and protection of common functions in vehicles such as front and rear lights, radio, clock, accessories, light switches etc.

# Central Electrical Unit 16-0 Module

## Dimensions



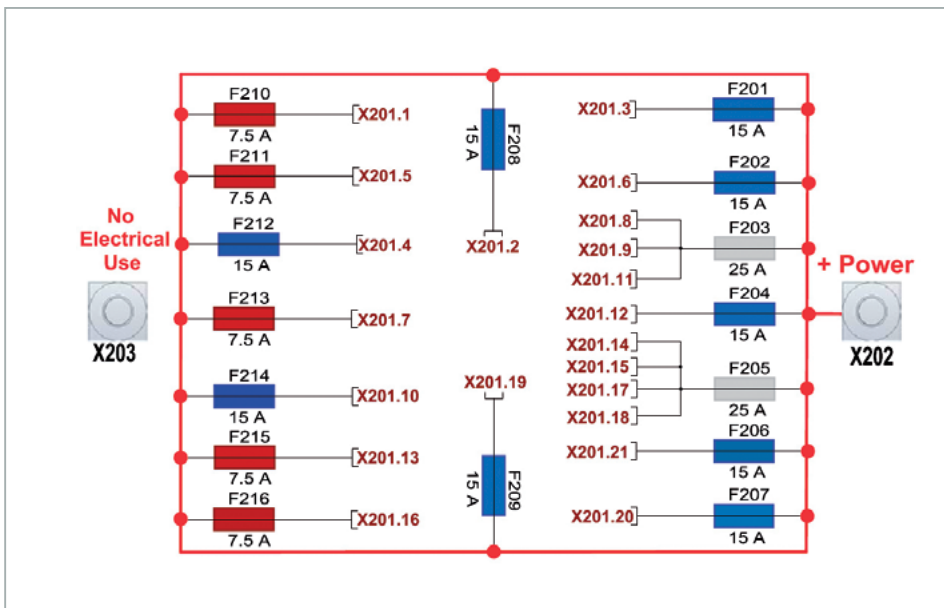
Approximate component size (depending on components)

## Technical Data

Temperature range	-40 °C to +80 °C
Max. supply current	Max. 85 A by 80 °C ambient
Output connection	JPT/MCP compatible, 3 row / 18 way yellow connector
Input connection (power stud)	Powerelement female M5 16 pins Max. mounting torque: 2.2 Nm

# Central Electrical Unit 16-0 Module

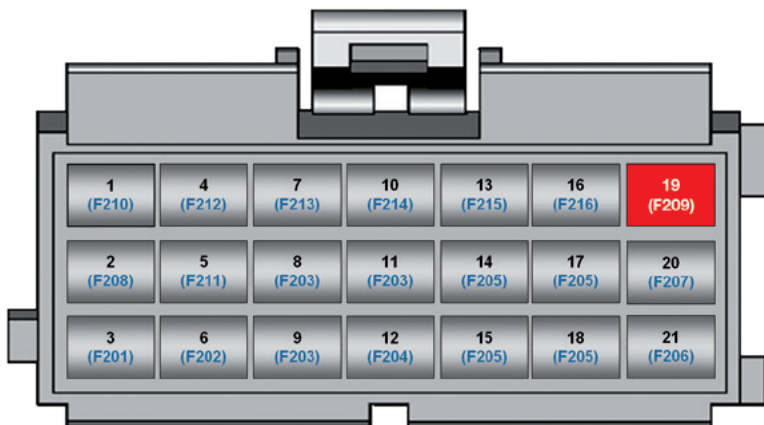
## Electrical Schematic



## Fuse Rate Table

Fuse connected to +Power	Amperate Max.
5	7.5 A
9	15 A
2	25 A

## Connector: 1 black JPT 21 (X201)



Female connector required for cable harness connection (view on cable entry)



Male Plug on board

Pin outs on the connector correspond to the associated component on the board.  
(i.e. component F209 is connected to pin 19 from connector X201)