

ICCS – Intelligent Control and Command Systems



Micro ICCS

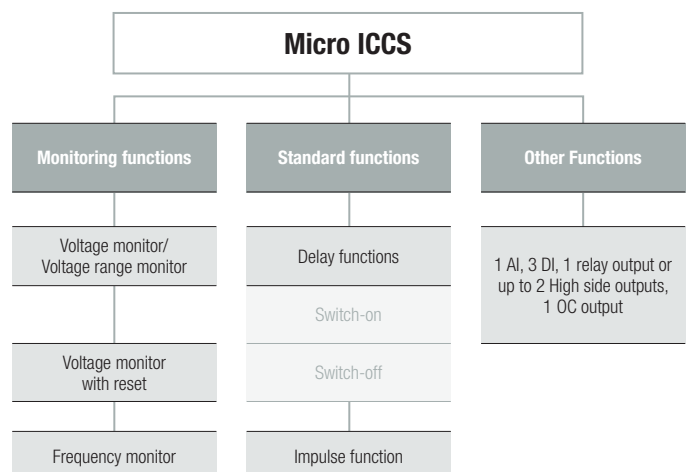
Micro ICCS – Very small controller for automotive applications shaped as a relay (9 pins).

Functions

- High side or relay output
- MSP430 16 Bit microcontroller with flash memory
- Maximum version (S1)
 - 1 analogue input
 - 3 digital inputs
 - 2 overload protected high side power outputs (alternatively 1 relay output 10/15 A (S2))
 - 1 open collector output (2 W)
- Diagrams S3/S4: Relay contact is potential free and able to switch any DC voltage
- On some versions the analogue input is replaced by a build in potentiometer (pin 15 can still be used as a digital input)
- Compact (30 x 30 x 40 mm) and robust
- Conform to EMC-guidelines
 - 5 male 6.3 mm faston
 - 4 male 2.8 mm faston

Technical data

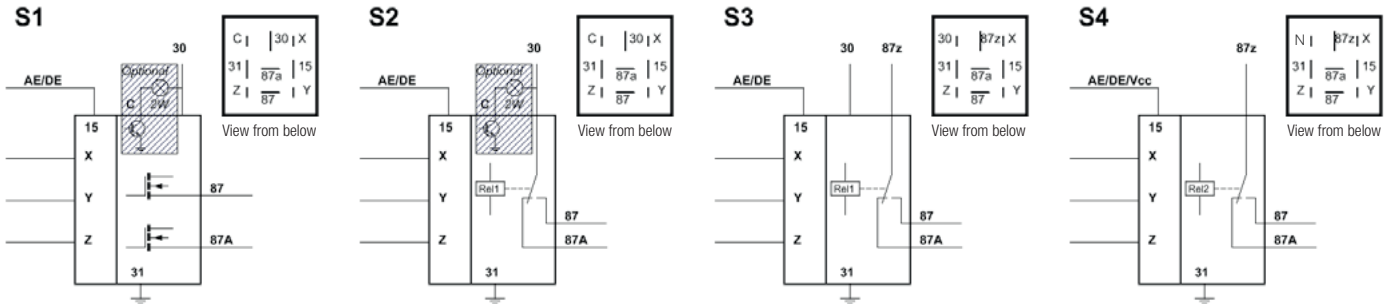
General information	
Operating temperature	-40 °C to 85°C
Limiting continuous current (relay output)	10/15 A (NC/NO)
Semiconductor output nominal load at 87/87a	High side-output: 5 A (12 V); 3 A (24 V) or 60 W (12 V); 75 W (24 V)
Status output C	max 2 W
Quiescent current	250 µA
EMV	95/54 EG; DIN 40839
Ingress protection	IP 53 (without potentiometer) IP 65 achievable with specific socket
e1-approval	03 3218



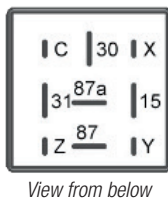
ICCS Micro ICCS



Diagrams



Housing and base plates



Order information

Description	Diagram	Outputs	VCC	SDK No.	Order No. WE ICS
Micro ICCS 9-30 V	S1	1 High side	pin 30	X08112	ICS-94830
Micro ICCS 9-30 V	S1	2 High side	pin 30	X08113	ICS-94831
Micro ICCS 9-30 V	S1	1 High side and 1 Open collector	pin 30	X08232	ICS-95918
Micro ICCS 9-30 V	S1	2 High side and 1 Open collector	pin 30	X08114	ICS-94832
Micro ICCS 9-30 V	S1	2 High side and 1 Open collector with potentiometer	pin 30	X08221	ICS-95882
Micro ICCS 12 V	S2	1 Relay	pin 30	X08108	ICS-94826
Micro ICCS 12 V	S2	1 Relay and 1 Open collector	pin 30	X08115	ICS-94833
Micro ICCS 24 V	S2	1 Relay	pin 30	X08109	ICS-94827
Micro ICCS 24 V	S2	1 Relay and 1 Open collector	pin 30	X08116	ICS-94834
Micro ICCS 12 V	S3	1 Relay	pin 30	X08230	ICS-95916
Micro ICCS 24 V	S3	1 Relay	pin 30	X08231	ICS-95917
Micro ICCS 24 V	S3	1 Relay with potentiometer	pin 30	X08297	ICS-95945
Micro ICCS 12 V	S4	1 Relay	pin 15	X08110	ICS-94828
Micro ICCS 12 V	S4	1 Relay and 1 Open collector	pin 15	X08228	ICS-95914
Micro ICCS 24 V	S4	1 Relay	pin 15	X08111	ICS-94829
Micro ICCS 24 V	S4	1 Relay and 1 Open collector	pin 15	X08229	ICS-95915

- Creation of special programs on demand
- Micro ICCS can be configured, parameterized and programmed individually:
 - Standard functions can be set via potentiometer such delay or pulse function
 - Other functions as monitoring function or functions, which can be realized with the available in- and outputs
 - Combination of all the functions with each other

IP65 Socket: ICS-102300

- Specially made relay socket for Nano/Micro series
- Efficient mounting solution for harsh environments up to IP65



This item is a standard product, please consider the relevant datasheet notes. The user is responsible for the product's functionality in its purposed system environment.

For more information visit us at www.we-online.com or call +49 7940 9810-0.

Würth Elektronik ICS GmbH & Co. KG Intelligent Connecting Systems

Gewerbepark Waldzimmern
Würthstraße 1
74676 Niedernhall
Tel. +49 7940 9810-0
Fax +49 7940 9810-1099
ics@we-online.de
www.we-online.com