

REDLINE POWER BOX 6F

Standard version



The **REDline Power Box 6F** is a primary fuse box designed for power distribution, first in line after the battery or in remote location within the vehicle.

The advantages of the REDline Power Box 6F:

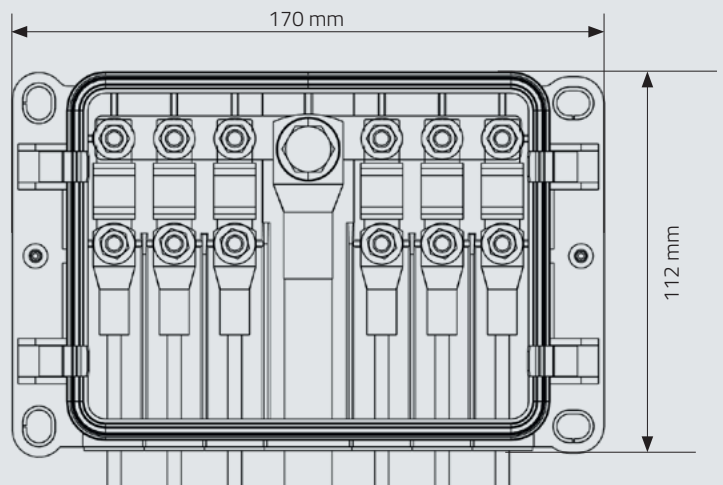
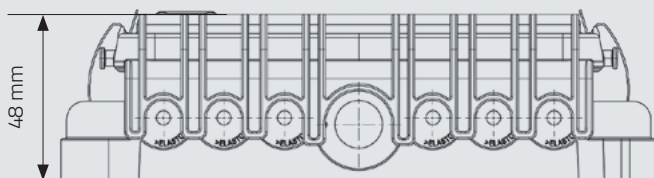
- Provides a sealed housing for up to 6 MIDI fuses (32 V and 70 V versions)
- Can be placed in rough environment (engine, chassis or battery area)

Our competent experts will help you to achieve the functionality of the product in the intended system environment on the basis of the relevant datasheet information.

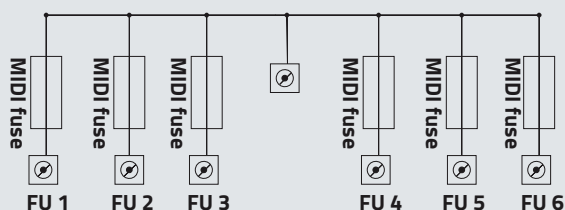
Technical Data	
Box dimensions	170 x 112 x 48 mm
Operating temperature	-40 °C up to +85 °C
IP protection class	IP66 (dust proof)
Mounting point type	4 x M6
Total current	Up to 300 A
Output wire size	6 x M5 cable lug (up to 16 mm ²) for 32 V version 6 x M6 cable lug (up to 16 mm ²) for 70 V version Blind sealing available
Input wire size	1 x M8 cable lug (up to 50 mm ²) for 32 V and 70 V versions
Material	PBT GF20 V0

Samples available
Start of production: 2022

MECHANICAL INFORMATION



ELECTRICAL SCHEMATICS



Technical content may be modified and changed by Würth Elektronik ICS GmbH & Co. KG without any notice.