

ICCS – Intelligent Control and Command Systems



CAN Isolator

The **ICCS CAN Isolator** gives you the ability to assure a clean communication of two or more ECUs with different voltage range or an isolation of a given ECU by providing a galvanic isolation.

The ICCS CAN Isolator can also be used as a repeater to allow CAN bus signals boost. It offers the possibility to add a 120 Ohm resistor to each of its ports by external wiring. This allows the module to act as the end point of a CAN network, or if the ICCS CAN Isolator is implemented into an existing line, it splits it into two physically terminated CAN bus lines still bridged together.

Technical data

General information	
Connector	9 Pins DIN / relay shape
Dimensions	30 x 30 x 40 mm
Housing material	PA66 GF30
Operating temperature	-40 °C to 85 °C
Storage temperature	-40 °C to 85 °C
Ingress protection	IP53
Operating voltage	9 to 30 V DC
Pre-fusing	1 AM
Current consumption	< 30 mA @ 24 V supply

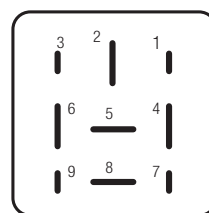
CAN bus	
acc. ISO 11898-2	High speed
Direction	Bidirectional data exchange possible
Baud rate	10 kBit/s to 1000 kBit/s

Inputs / outputs		
2	CAN buses	Galvanic isolation between two ports
2	CAN termination	Wiring connection of 120 Ω on each CAN port possible
2	Isolated ground	The two ground lines are split inside the module, do not connect them together.

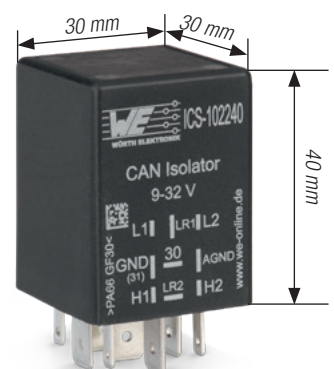
Pin assignment

Pin	Description	Function
1	L2	CAN Low bus 2
2	LR1	CAN term (short to L1 to activate)
3	L1	CAN Low bus 1
4	GND 2	Ground for bus 2
5	KL30	Vsupply
6	KL31 / GND1	Ground for bus 1 / Supply GND
7	H2	CAN High bus 2
8	LR2	CAN term (short to L2 to activate)
9	H1	CAN High bus 1

Bottom View



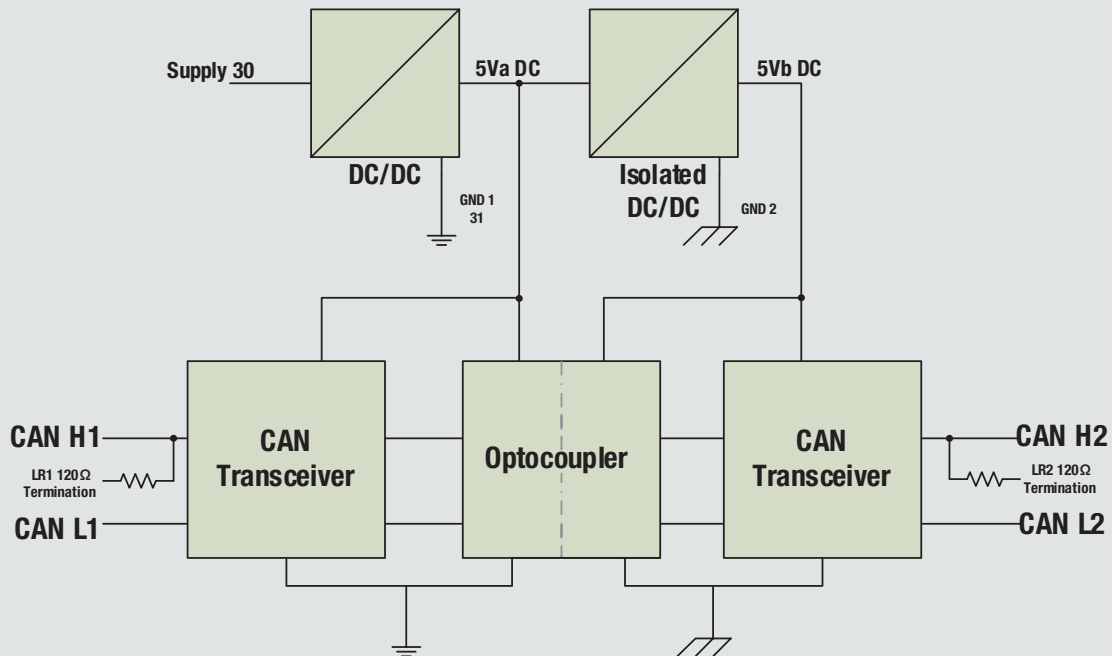
Dimensions



ICCS – Intelligent Control and Command Systems



Hardware Map



Order information

Available references	Part number
ICCS CAN Isolator	ICS-102240
9 pins IP65 socket	ICS-102300
9 pins standard socket	X02783



This item is a standard product, please consider the relevant datasheet notes.
The user is responsible for the product's functionality in its purposed system environment.

For more information visit us at
www.we-online.com/ics or call
+49 7940 9810-0

Würth Elektronik ICS GmbH & Co. KG Intelligent Power & Control Systems

Gewerbepark Waldzimmern
Würthstraße 1
74676 Niedernhall · Germany
Phone: +49 7940 9810-0
Fax: +49 7940 9810-1099
ics@we-online.com
www.we-online.com/ics