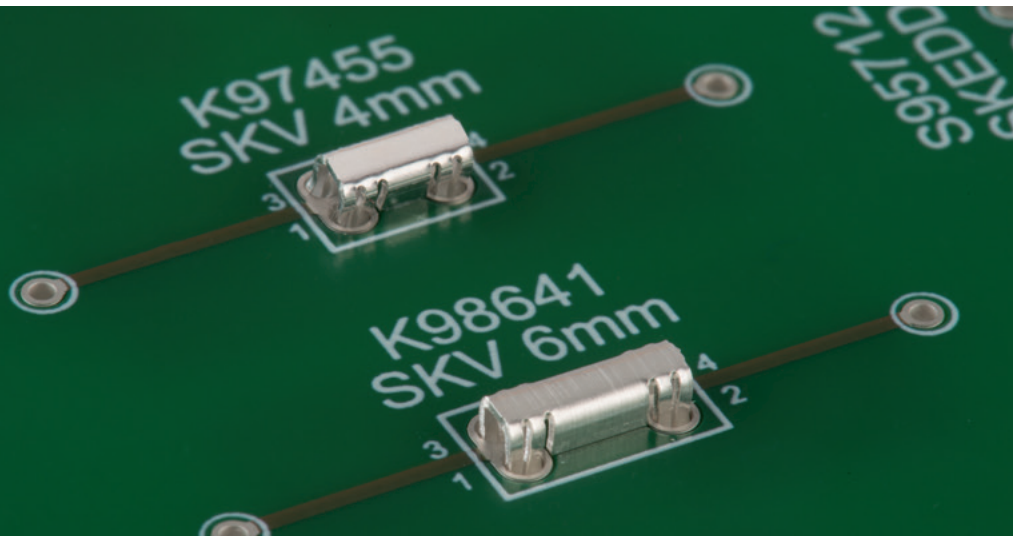


SKV Connector

Jumper/ Horizontal Board-to-Board Connector



SKEDD

The connection technology SKEDD offers a simple and reliable alternative to soldering or press-fit technology. SKEDD enables direct and reversible connection to PCBs. A stamped contact is fixed mechanically on a housing and the board serves as a contact partner. The socket base as an intermediate component falls off. Therefore, up to 50 % less material is used and an elaborate and thermally troublesome process for electronics is omitted. This simplifies the system by omitting one connection level; it maintains at least the same level of functionality and quality, and is easy to handle.

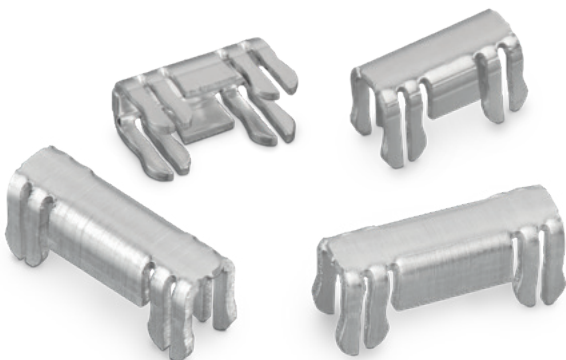
SKEDD can be used in place of many common connection solutions in a wide variety of application categories, such as high-voltage / signal connectors and board-to-board connectors, or in the assembly of components on PCBs.

Applications

- (High voltage) jumper
- Connecting two PCBs on the same level (coplanar)

Processing

The SKV connectors can be inserted into and extracted from the PCB by hand.



Mechanical parameters

Mating cycles	10	
Grid	K97455	K98641
	4.0 mm	6.0 mm

Electrical parameters

Current carrying capacity	18 A at 85 °C	
Voltage max	K97455	K98641
	460 V _{RMS} / 3300 V (1.2/50µs)	860 V _{RMS} / 5040 V (1.2/50µs)
Insulation	2.4 mm*	4.4 mm*
Contact resistance	< 0.5 mΩ	

Ambient conditions

Installation situation	Horizontal installation, limited vibration dependability
Operating temperature	-40 °C to +105 °C

Material

Contact material	CuSn6	
Contact surface	K97455	K98641
	Sn (Stamping edge uncovered)	Galvanic silver

PCB

PCB thickness	min. 1.5 mm
Final diameter	1.40 + 0.1 / -0.06 mm
Final copper layer thickness	25 µm min
Residual ring	≥ 0.1 mm

Processing parameters

Insertion force	~ 20 N
Extraction force	~ 15 N

*This information applies to a residual ring of 0.1 mm according to DIN EN 60664-1 (PD2, printed circuits)

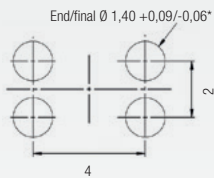
SKV Connector

Horizontal Board-to-Board Connector / Jumper

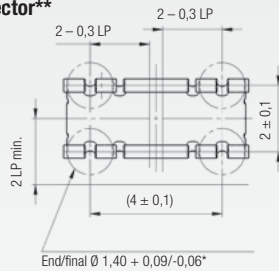


Drill pattern*

K97455 for use as jumper

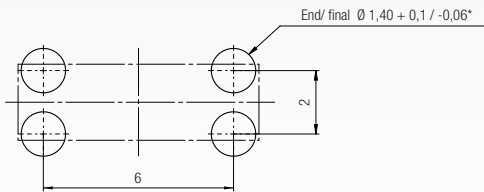


K97455 for use as board-to-board connector**



**SKV use is based on the drill pattern in the drawing. LP represents the minimum distance to the edge of the PCB when connecting 2 PCBs.

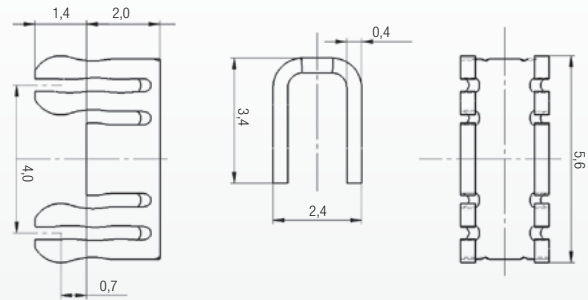
K98641 for use as jumper



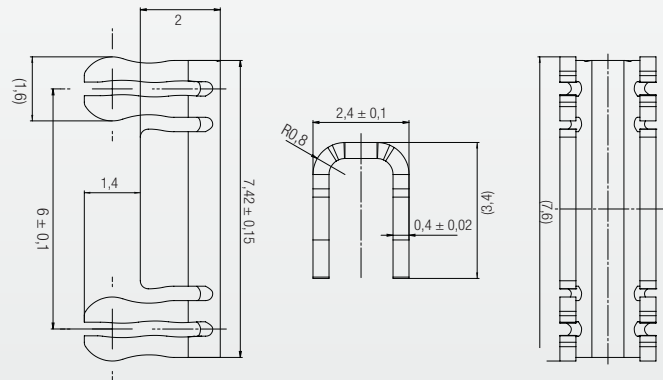
*Plated-through hole according to IPC-6012C. Valid for HAL, chem. Ni/Au, chem. Sn.

Dimensions

K97455



K98641



Tools

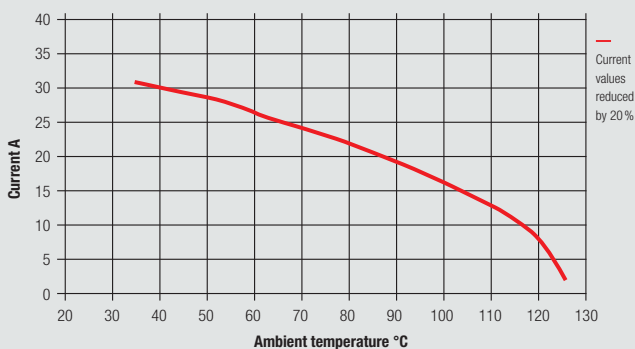


Manual assembly tool S98958

Current rating

Consult the corrected derating curve for the SKV current rating.

Derating curve SKV



Note:

The dimensions and specifications of the current customer drawing shall take precedence. Data sheet is not subject to Product Change Notification (PCN).

For more information please go to www.we-online.com/skedd or call +49 7940 9810-0.