

|                   |      |               |
|-------------------|------|---------------|
| CUSTOMER TERMINAL | RoHS | LEAD(Pb)-FREE |
| Sn96%, Ag4%       | Yes  | Yes           |

more than you expect



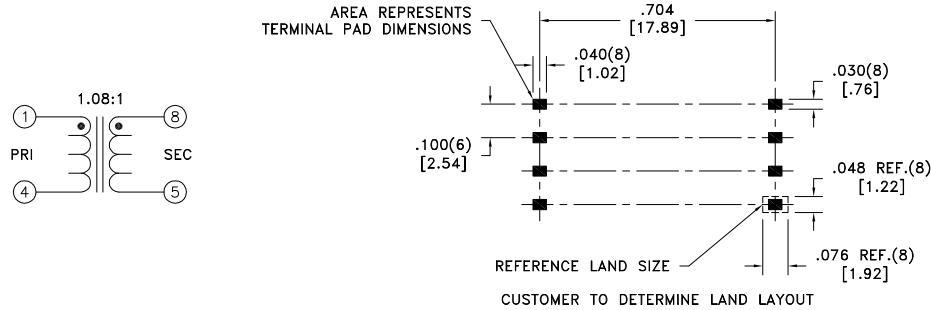
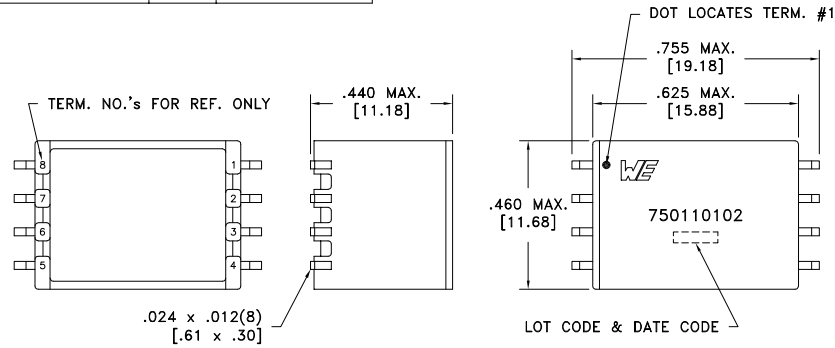
ELECTRICAL SPECIFICATIONS @ 25°C unless otherwise noted:

| PARAMETER       | TEST CONDITIONS        | VALUE           |
|-----------------|------------------------|-----------------|
| D.C. RESISTANCE | 1-4 @20°C              | 1.20 ohms max.  |
| D.C. RESISTANCE | 8-5 @20°C              | 1.20 ohms max.  |
| INDUCTANCE      | 1-4 10kHz, 100mVAC, Ls | 60uH min.       |
| DIELECTRIC      | 1-8 8.75kVAC, 1 second | 7kVAC, 1 minute |
| TURNS RATIO     | (1-4):(8-5)            | 1.08:1, ±2%     |

GENERAL SPECIFICATIONS:

OPERATING TEMPERATURE RANGE: -40°C to +125°C including temp rise.

Designed to meet EN50470-1, Class II, <300V, reinforced insulation.



Wire insulation & RoHS status not affected by wire color.  
Wire insulation color may vary depending on availability.

|      |       |  |  |  |                                     |                              |
|------|-------|--|--|--|-------------------------------------|------------------------------|
| REV. | DATE  | Method: <b>Tape &amp; Reel</b><br>PKG-0892<br>www.we-online.com/midcom |  | Tolerances unless otherwise specified:<br>Angles: ±1°<br>Fractions: ±1/64<br>Decimals: ±.005 [.13]<br>Footprint: ±.005 [.13] | DRAWING TITLE<br><b>TRANSFORMER</b> | PART NO.<br><b>750110102</b> |
| 6C   | 4/13  |  |  | This drawing is dual dimensioned. Dimensions in brackets are in millimeters.   | eiSos p/n: 750110102                | SPECIFICATION SHEET 1 OF 1   |
| 6B   | 1/13  |  |  |  |                                     |                              |
| 6A   | 11/12 | SEE REVISION SHEET FOR REVISION LEVEL                                  |  |  |                                     |                              |

