

### Description

- LVDS output crystal oscillator in a hermetically sealed ceramic package with a seam sealed metal lid.
- Model IQXO-618-33
- Model Issue number 5

### Frequency Parameters

- Frequency 156.250MHz
- Frequency Stability  $\pm 50.00$ ppm
- Operating Temperature Range -40.00 to 105.00°C
- Ageing  $\pm 3$ ppm max per year at 25°C

### Electrical Parameters

- Supply Voltage 3.3V  $\pm 5\%$
- Current Draw 50.000mA max

### Output Details

- Output Compatibility LVDS
- Drive Capability 100 $\Omega$
- Rise & Fall Time (20 - 80%) 0.5ns max
- Duty Cycle 45/55% max
- Differential Output Voltage (VoD): 0.247V min, 0.33V typ, 0.454V max
- Offset Voltage (VoS): 1.125V min, 1.25V typ, 1.375V max.
- Output Voltage Levels:  
Output Low (VoL): 0.9V min  
Output High (VoH): 1.6V max

### Output Control

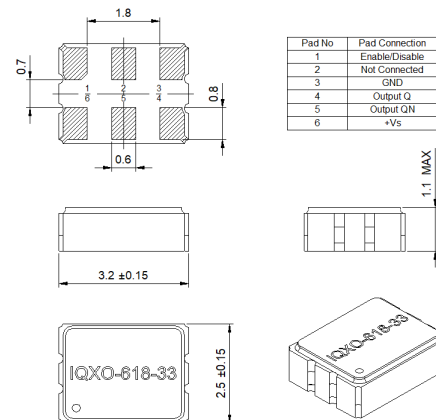
- Standby Operation:  
Logic '1' ( $\geq 70\%$  Vs) to pad 1 enables oscillator output.  
Logic '0' ( $\leq 30\%$  Vs) to pad 1 disables oscillator output; when disabled the oscillator output goes to the high impedance state.  
No connection to pad 1 enables oscillator output.
- Start-up Time: 10ms max
- Standby Current: 10 $\mu$ A max

### Noise Parameters

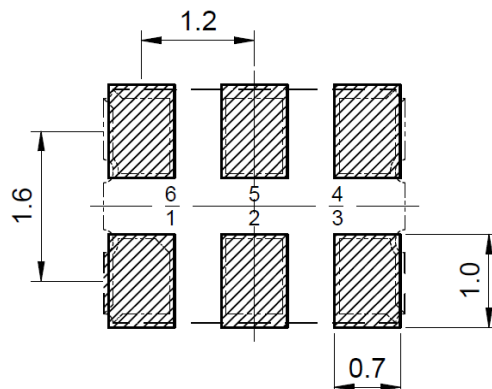
- Phase Jitter (12kHz to 20MHz): 300fs rms max
- Phase Jitter (12kHz to 20MHz):  
@100MHz: 137fs rms typ  
@125MHz: 118fs rms typ  
@156.25MHz: 83fs rms typ



### Outline (mm)



### Recommended Solder Pad Layout



### CONTACT INFORMATION:

Würth Elektronik eiSos GmbH & Co. KG  
Max-Eyth-Str. 1, 74638 Waldenburg, Germany  
Tel: +49(0) 7942 945-0

Email: eiSos@we-online.de  
Web: www.we-online.com

### Environmental Parameters

- Storage Temperature Range: -55 to 125°C
- Drop Test (JIS-C0044): The specimen is measured for frequency before the test. It is then dropped from a height of 100cm min as a free fall object onto a hard wooden plate of thickness 30mm min.
- Vibration (MIL-STD-883F : 2007.3): The specimen is measured for frequency before the test. Test in X,Y and Z axes for the vibration test. Frequency range: 20~2000Hz, peak to peak amplitude: 1.52mm, peak acceleration: 20G, sweep time: 20 minute/axis, perpendicular total test time: 4 hours.
- RoHS Terminations
- RoHS Reflow Temp                      260°C max for 10s max

### Compliance

- RoHS Status (2015/863/EU)            Compliant
- REACH Status                              Compliant
- MSL Rating (JDEC-STD-033):        Not Applicable

### Packaging Details

- Tape & reel in accordance with EIA-481  
Quantities below the standard reel size to be supplied on cut tape  
Standard Quantity: 3,000 Pieces
- 

### USEFUL LINKS

**Toolbox:**

[www.we-online.com/toolbox](http://www.we-online.com/toolbox)

**Product Catalog:**

[www.we-online.com/products](http://www.we-online.com/products)

### CONTACT INFORMATION:

Würth Elektronik eiSos GmbH & Co. KG  
Max-Eyth-Str. 1, 74638 Waldenburg, Germany  
Tel: +49(0) 7942 945-0

Email: [eiSos@we-online.de](mailto:eiSos@we-online.de)  
Web: [www.we-online.com](http://www.we-online.com)