

Description

- 32.768kHz miniature 2 x 1.6mm crystal oscillator in an hermetically sealed ceramic package with a seam sealed metal lid.
- Model IQXO-404
- Model Issue number 5

Frequency Parameters

- Frequency 32.7680kHz
- Frequency Stability ± 30.00 ppm
- Operating Temperature Range -40.00 to 85.00°C
- Ageing ± 3 ppm max per year @ 25°C

Electrical Parameters

- Supply Voltage 1.8V $\pm 5\%$
- Current Draw 0.200mA max

Output Details

- Output Compatibility CMOS
- Drive Capability 15pF max
- Rise and Fall Time 100.0ns max
- Duty Cycle 40/60 max

Output Control

- Standby Operation:
Logic '1' ($\geq 70\%V_S$) to pad 1 enables oscillator output
Logic '0' ($\leq 30\%V_S$) to pad 1 disables oscillator output; when disabled the oscillator output goes to the high impedance state.
No connection to pad 1 enables oscillator output.
- Standby Current:
10 μ A max @ -40 to 85°C
20 μ A max @ -40 to 125°C
- Start-up Time: 10ms max
0.3ms typ to 90% of final amplitude (under ideal conditions @ 25°C)

Environmental Parameters

- Storage Temperature Range: -55 to 125°C
- Shock : 1500G, 0.5ms, 3 times for each surface, total 18 times.
- Vibration: Frequency range: 20~2000Hz, peak to peak amplitude 1.52mm, peak acceleration: 20g (196m/s²), 3 directions (X, Y, Z), each cycle: 20min, 4 cycles for each direction.

Manufacturing Details

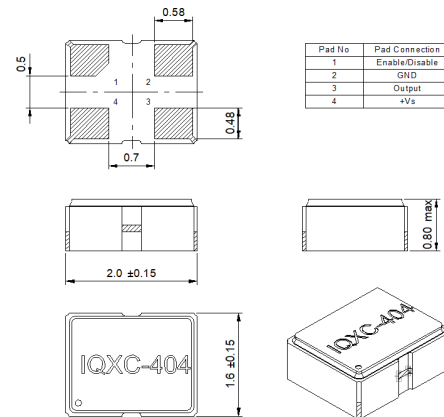
- RoHS Terminations Au over Ni
- RoHS Reflow Temp 260°C max for 10s max

Compliance

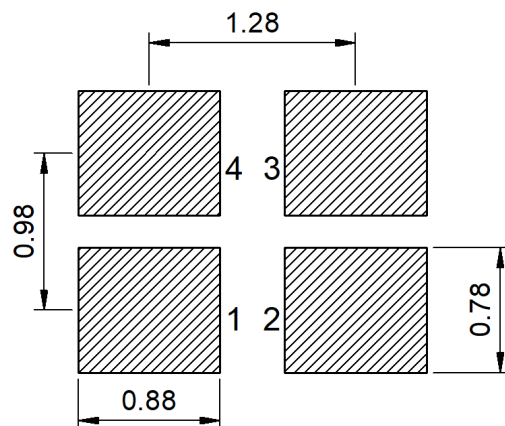
- RoHS Status (2015/863/EU) Compliant
- REACH Status Compliant
- MSL Rating (JDEC-STD-033): Not Applicable



Outline (mm)



Recommended Solder Pad Layout



CONTACT INFORMATION:

Würth Elektronik eiSos GmbH & Co. KG
Max-Eyth-Str. 1, 74638 Waldenburg, Germany
Tel: +49(0) 7942 945-0

Email: eiSos@we-online.de
Web: www.we-online.com



Crystal Clock Oscillator Specification

IQD Part No.: LFSPXO073706

Würth Part No. 830207370601



**WÜRTH
ELEKTRONIK**
MORE THAN
YOU EXPECT

Packaging Details

- Tape & reel in accordance with EIA-481
Quantities below the standard reel size to
be supplied on cut tape.
Standard Quantity: 3,000 Pieces

▪

USEFUL LINKS

Toolbox:

www.we-online.com/toolbox

Product Catalog:

www.we-online.com/products

CONTACT INFORMATION:

Würth Elektronik eiSos GmbH & Co. KG
Max-Eyth-Str. 1, 74638 Waldenburg, Germany
Tel: +49(0) 7942 945-0

Email: eiSos@we-online.de
Web: www.we-online.com