

Description

- 2.0 x 1.2mm SMD crystal in a hermetically sealed ceramic package with an electro-beam sealed metal lid. Suitable for real time clock applications.
- Model IQXC-25
- Model Issue number 5

Frequency Parameters

- Frequency 32.7680kHz
- Frequency Tolerance $\pm 20.00\text{ppm}$
- Tolerance Condition @25°C $\pm 5^\circ\text{C}$
- Operating Temperature Range -40.00 to 85.00°C
- Overtone Order Fundamental
- Ageing $\pm 3\text{ppm}$ max per year @25°C
- Frequency Stability Coefficient: -0.03 $\pm 0.01\text{ppm}/^\circ\text{C}^2$
- Drive Level: 0.1 μW recommended, $\pm 0.5\mu\text{W}$ max
- Motional Capacitance (C1): 6.5fF typ

Electrical Parameters

- Load Capacitance (CL) 4.00pF
- Shunt Capacitance (C0) 1.3pF typ, 1.7pF max
- ESR *****See Technical Notes*****

Environmental Parameters

- Storage Temperature Range: -55 to 125°C
- Shock: IEC 60068-2-27: 1000g, 1ms, 3 times in each of the 3 mutually perpendicular planes.
- Vibration: IEC 60068-2-6: 1.5mm amplitude, 10Hz~55Hz, 1 minute in 3 mutually perpendicular planes for the total of 6 hours (2 hours in each plane).

Manufacturing Details

- RoHS Terminations Au over Ni over W base
- RoHS Reflow Temp 260°C max for 5 seconds

Compliance

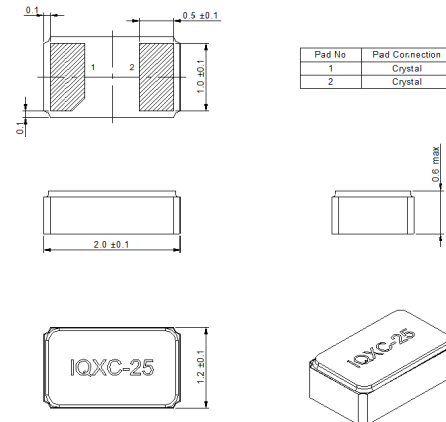
- RoHS Status (2015/863/EU) Compliant
- REACH Status Compliant
- MSL Rating (JDEC-STD-033): Not Applicable

Packaging Details

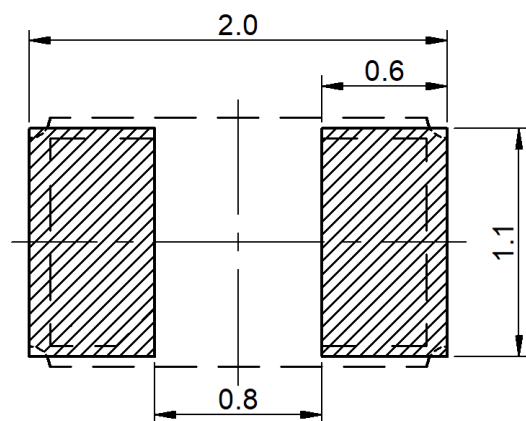
- Tape & reel in accordance with EIA-481
- Quantities below the standard reel size to be supplied on cut tape.
- Standard Quantity: 3,000 Pieces



Outline (mm)



Recommended Solder Pad Layout



CONTACT INFORMATION:

Würth Elektronik eiSos GmbH & Co. KG
Max-Eyth-Str. 1, 74638 Waldenburg, Germany
Tel: +49(0) 7942 945-0

Email: eiSos@we-online.de
Web: www.we-online.com

USEFUL LINKS

Toolbox:

www.we-online.com/toolbox

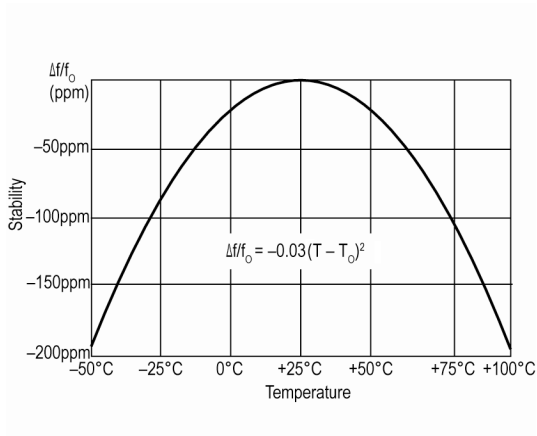
Product Catalog:

www.we-online.com/products

Technical Notes

- ESR 80k Ohms max

Typical Frequency Stability Characteristics



CONTACT INFORMATION:

Würth Elektronik eiSos GmbH & Co. KG
Max-Eyth-Str. 1, 74638 Waldenburg, Germany
Tel: +49(0) 7942 945-0

Email: eiSos@we-online.de
Web: www.we-online.com