

Description

- 2 x 6mm watch crystal with pre-formed legs to make an SMD package.
- Model CFPX-56
- Model Issue number 8

Frequency Parameters

- Frequency 32.7680kHz
- Frequency Tolerance $\pm 20.00\text{ppm}$
- Tolerance Condition @25°C
- Overtone Order Fundamental
- Ageing $\pm 5\text{ppm}$ max first year

Electrical Parameters

- Load Capacitance (CL) 12.50pF
- Shunt Capacitance (C0) 1.6pF typ, 2.0pF max
- Drive Level 0.1μW typ, 1.0μW max
- ESR 40.00kΩ max
- Motional Capacitance (C1): 3.2fF typ
- Frequency Stability Coefficient: $-0.034\text{ppm}/^\circ\text{C}^2 \pm 0.006\text{ppm}/^\circ\text{C}^2$

Environmental Parameters

- Storage Temperature Range: -40 to 85°C
- High Temperature Storage: 85°C for 24 hours.
- Drop: 75cm drop (3 times) onto hard wooden board.

Manufacturing Details

- Note: Do not solder the body of the device to any PCB pads. Use other bonding methods such as adhesive, sealant, sticky-pads.
- RoHS Terminations SnAgCu
- RoHS Reflow Temp 245°C max for 10 seconds

Compliance

- RoHS Status (2015/863/EU) Compliant
- REACH Status Compliant
- MSL Rating (JDEC-STD-033): Not Applicable

Packaging Details

- Tape & reel in accordance with EIA-481
- Quantities below the standard reel size to be supplied on cut tape.

Standard Quantity: 3,000 Pieces

USEFUL LINKS

Toolbox:

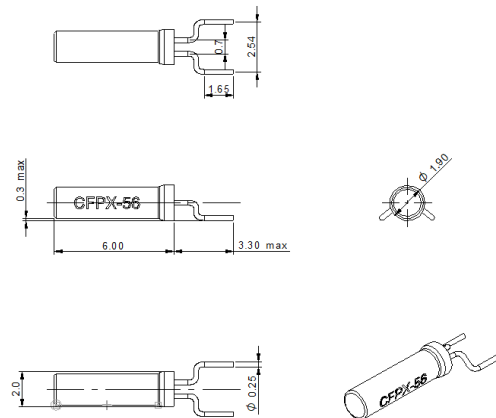
www.we-online.com/toolbox

Product Catalog:

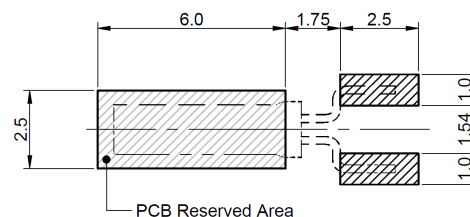
www.we-online.com/products



Outline (mm)



Recommended Solder Pad Layout



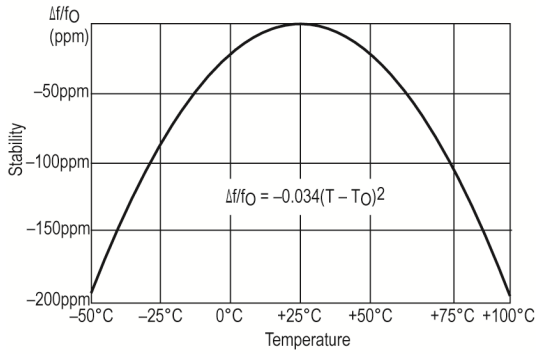
NOTE: Do not solder the body of this device to any PCB pads. Use other bonding methods such as adhesive sealant, sticky pads.

CONTACT INFORMATION:

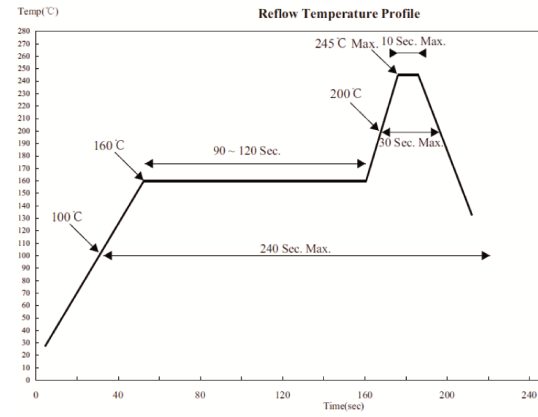
Würth Elektronik eiSos GmbH & Co. KG
Max-Eyth-Str. 1, 74638 Waldenburg, Germany
Tel: +49(0) 7942 945-0

Email: eiSos@we-online.de
Web: www.we-online.com

Typical Frequency Stability Characteristics



Reflow Temperature Profile



CONTACT INFORMATION:

Würth Elektronik eiSos GmbH & Co. KG
 Max-Eyth-Str. 1, 74638 Waldenburg, Germany
 Tel: +49(0) 7942 945-0

Email: eiSos@we-online.de
 Web: www.we-online.com