

CUSTOMER TERMINAL	RoHS	LEAD(Pb)-FREE
Sn96%, Ag4%	Yes	Yes

more than you expect

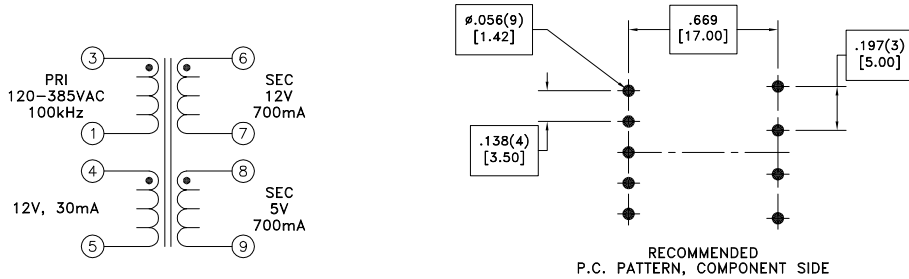
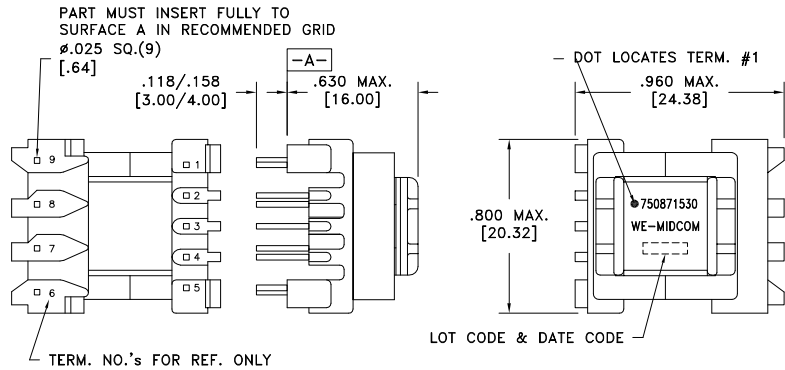


ELECTRICAL SPECIFICATIONS @ 25°C unless otherwise noted:

PARAMETER	TEST CONDITIONS	VALUE
D.C. RESISTANCE	1-3 @20°C	3.25 ohms max.
D.C. RESISTANCE	5-4 @20°C	0.5 ohms max.
D.C. RESISTANCE	6-7 @20°C	0.12 ohms max.
D.C. RESISTANCE	8-9 @20°C	0.065 ohms max.
INDUCTANCE	1-3 10kHz, 100mVAC, Ls	1.6mH ±10%
LEAKAGE INDUCTANCE	1-3 tie(4+5, 6+7, 8+9), 10kHz, 100mVAC, Ls	63uH max.
DIELECTRIC	1-6 tie(3+4, 7+8), 4800VAC, 1 second	4000VAC, 1 minute
DIELECTRIC	1-4 1800VAC, 1 second	1500VAC, 1 minute
TURNS RATIO	(3-1):(4-5)	8.266:1, ±1%
TURNS RATIO	(3-1):(6-7)	8.266:1, ±1%
TURNS RATIO	(3-1):(8-9)	17.714:1, ±1%

GENERAL SPECIFICATIONS:

- Ⓔ OPERATING TEMPERATURE RANGE: -40°C to +125°C including temp rise.
- Ⓔ Designed to comply with the following requirements as defined by EN61558-2-6 and EN61558-2-16:
 - Reinforced insulation for a primary circuit at a working voltage of 250Vrms..



REV.	DATE	Packaging Specifications	CONVENTION PLACEMENT
6D	8/14	Method: Tray	
6C	9/13	PKG-0735	
6B	2/12	www.we-online.com/midcom	
6A	2/10	SEE REVISION SHEET FOR REVISION LEVEL	

Tolerances unless otherwise specified:
 Method: $\pm 1^\circ$ Decimals: $\pm .005$ [.13]
 Fractions: $\pm 1/64$ Footprint: $\pm .001$ [.03]

This drawing is dual dimensioned. Dimensions in brackets are in millimeters.

DRAWING TITLE
TRANSFORMER

eiSos p/n: 750871530

PART NO.
750871530

compliant RoHS

SPECIFICATION SHEET 1 OF 1