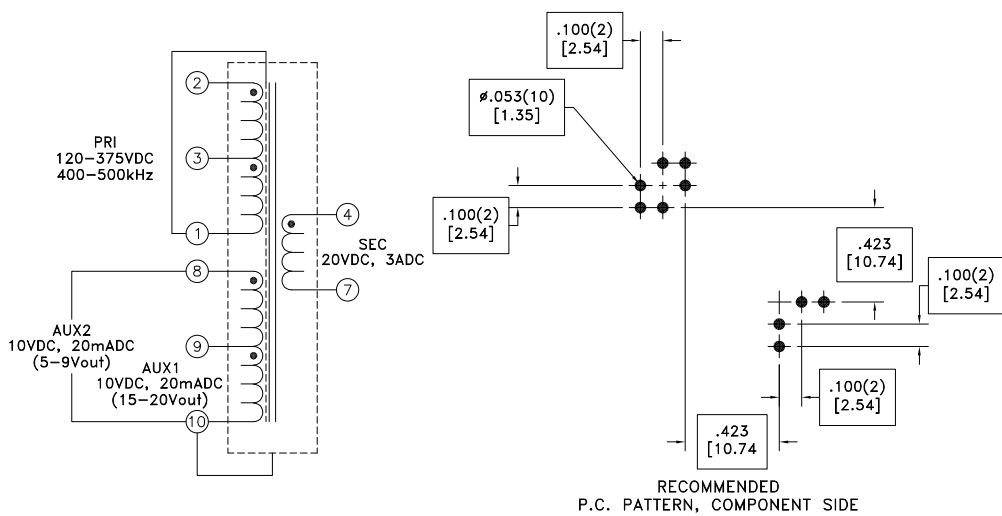
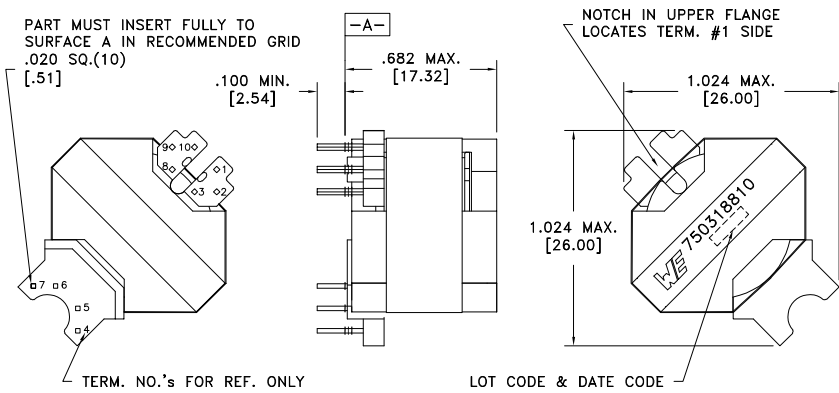


CUSTOMER TERMINAL	RoHS	LEAD(Pb)-FREE
Sn96%, Ag4%	Yes	Yes

more than you expect



ELECTRICAL SPECIFICATIONS @ 25°C unless otherwise noted:

PARAMETER	TEST CONDITIONS	VALUE
D.C. RESISTANCE	2-1 @20°C	0.130 ohms ±20%
D.C. RESISTANCE	8-9 @20°C	0.340 ohms ±20%
D.C. RESISTANCE	9-10 @20°C	0.250 ohms ±20%
D.C. RESISTANCE	4-7 @20°C	0.009 ohms max.
INDUCTANCE	2-1 100kHz, 100mVAC, Ls	127uH ±10%
SATURATION CURRENT	2-1 20% rolloff from initial	3.4A
LEAKAGE INDUCTANCE	2-1 tie(8+10, 4+7), 100kHz, 100mVAC, Ls	2.0uH typ., 3.5uH max.
DIELECTRIC	2-4 tie(1+8), 3750VAC, 1 second	3000VAC, 1 minute
DIELECTRIC	2-8 625VAC, 1 second	500VAC, 1 minute
TURNS RATIO	(2-1):(9-10)	4:1
TURNS RATIO	(2-1):(8-10)	1.71:1
TURNS RATIO	(2-1):(4-7)	6:1

GENERAL SPECIFICATIONS:

OPERATING TEMPERATURE RANGE: -40°C to +125°C including temp rise.

Designed to comply with the following requirements as defined by IEC60950-1:
 - Reinforced insulation for a primary circuit at a working voltage of 265Vrms, 400Vpeak, Overvoltage Category II, Pollution Degree 2.

Designed to comply with the following requirements as defined by IEC62368-1:
 EN62368-1, UL62368-1/CSA62368-1 and AS/NZS62368.1:
 - Reinforced insulation for a primary circuit at a working voltage of 265Vrms, 400Vpeak, Overvoltage Category II, Pollution Degree 2.

Wire insulation & RoHS status not affected by wire color.
 Wire insulation color may vary depending on availability.

REV.	DATE	Packaging Specifications Method: Tray PKG-0002 www.we-online.com/midcom		Tolerances unless otherwise specified: Angles: ±1° Fractions: ±1/64 Decimals: ±.005 [0.13] Footprint: ±.001 [0.03]	DRAWING TITLE TRANSFORMER	PART NO. 750318810
6A	12/22	SEE REVISION SHEET FOR REVISION LEVEL		This drawing is dual dimensioned. Dimensions in brackets are in millimeters.	eiSos p/n: 750318810	SPECIFICATION SHEET 1 OF 1