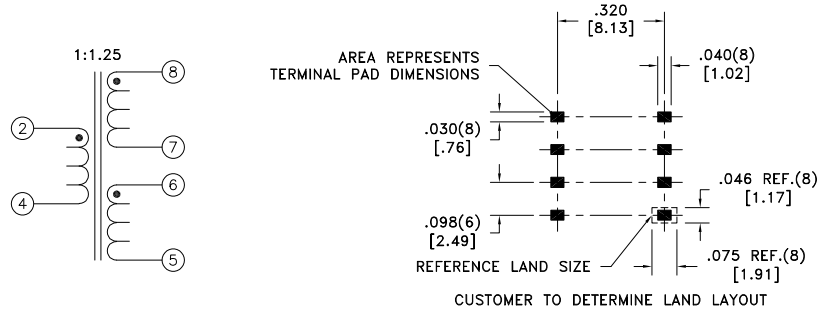
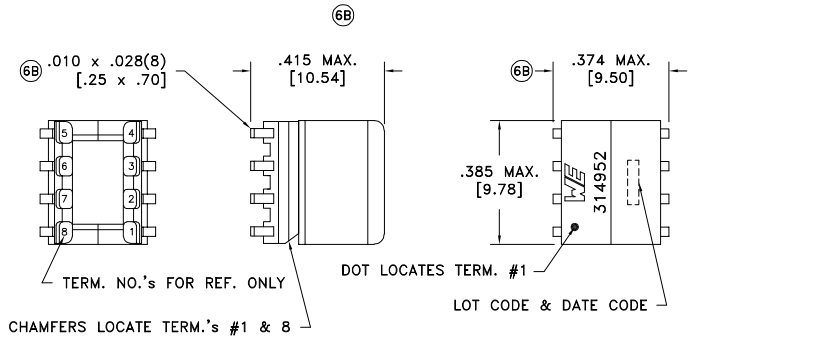


CUSTOMER TERMINAL	RoHS	LEAD(Pb)-FREE
Sn96%, Ag4%	Yes	Yes



ELECTRICAL SPECIFICATIONS @ 25°C unless otherwise noted:

PARAMETER	TEST CONDITIONS	VALUE
D.C. RESISTANCE	2-4 @20°C	1.50 ohms max.
D.C. RESISTANCE	8-5 tie(7+6), @20°C	1.80 ohms max.
INDUCTANCE	2-4 10kHz, 100mVAC, Ls	2.5mH ±30%
DIELECTRIC	2-8 tie(7+6), 2500VAC, 1 second	2000VAC, 1 minute
TURNS RATIO	(8-5):(2-4), tie(7+6)	1.25:1, ±2%

GENERAL SPECIFICATIONS:

OPERATING TEMPERATURE RANGE: -40°C to +125°C including temp rise.

CURRENT RATING: 150mArms

Wire insulation & RoHS status not affected by wire color.
Wire insulation color may vary depending on availability.

REV.	DATE	Packaging Specifications Method: Tape & Reel PKG-0410 www.we-online.com/midcom		Tolerances unless otherwise specified: Angles: ±1° Fractions: ±1/64 Decimals: ±.005 [.13] Footprint: ±.005 [.13]	DRAWING TITLE TRANSFORMER	PART NO. 750314952
6B	9/22			This drawing is dual dimensioned. Dimensions in brackets are in millimeters.	eiSos p/n: 750314952	
6A	5/15	SEE REVISION SHEET FOR REVISION LEVEL				SPECIFICATION SHEET 1 OF 1