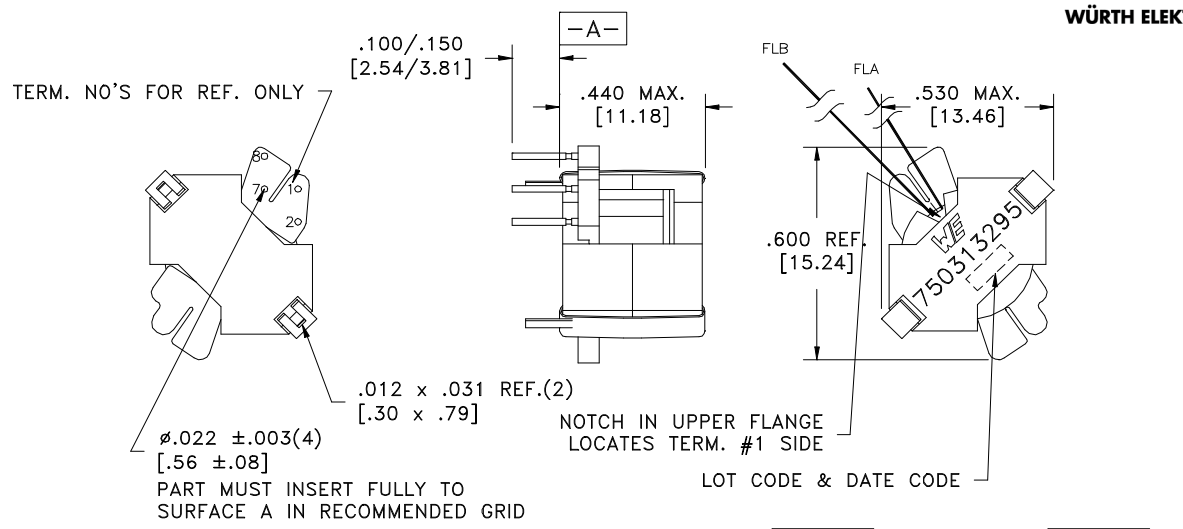
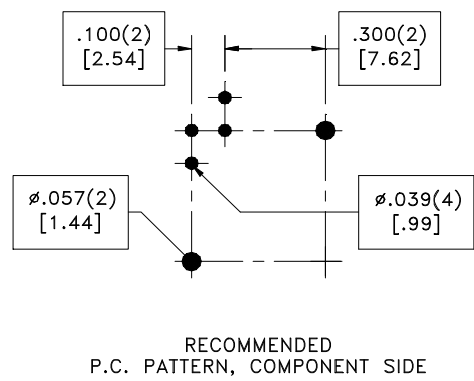
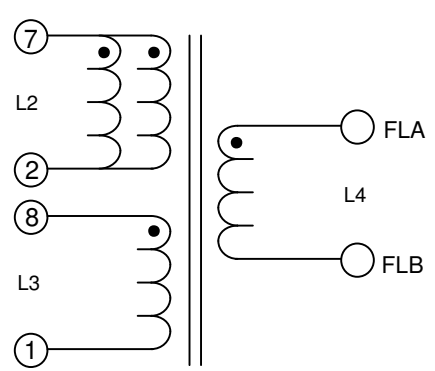


CUSTOMER TERMINAL	RoHS	LEAD(Pb)-FREE
Sn96%, Ag4%	Yes	Yes



Update bobbin view upon release. JJB 6-4-12



ELECTRICAL SPECIFICATIONS @ 25°C unless otherwise noted:

D.C. RESISTANCE (@20°C):	FLA-FLB , 0.108 Ohms ±10%.
	7-2 , 6.90 Ohms ±10%.
	8-1 , 4.40 Ohms ±10%.
DIELECTRIC RATING:	500VAC for 1 second between pins 1-core (tie 7+8+FLA).
INDUCTANCE:	3.60 mH ±10%, 10kHz, 100mVAC, 0mADC, 7-2, Ls.
LEAKAGE INDUCTANCE:	30µH nom., 45µH max., 100kHz, 100mVAC, 7-2(tie FLA+FLB, 8+1), Ls.
SATURATION CURRENT:	350mA saturating current that causes 20% rolloff from initial inductance.
URNS RATIO:	(7-2):(FLA-FLB), (8):(1.00), ±1%.
	(7-2):(8-1), (4):(1.00), ±1%.

Preliminary

Wire insulation & RoHS status not affected by wire color. Wire insulation color may vary depending on availability.

OPERATING TEMPERATURE RANGE: -40°C to 125°C including temp. rise.

Safety Standard Undefined

T_0_0361_C_0056

Würth Electronics Midcom Inc. Watertown, SD USA Toll Free: 800-643-2661 Fax: 605-886-4486	Unless otherwise specified, tolerances are as follows: Angles: ±1° Fractions: ±1/64 Decimals: ±.005(.127mm) Footprint: ±.001(.03mm)		more than you expect	
	Drawing Title <h1>Transformer</h1>		Drawing Number <h1>750313295</h1>	Rev. <h1>03</h1>
This drawing is dual dimensioned. Dimensions in brackets are in millimeters		Revisions: See Sheet 1		Scale ---- Spec Sheet 1 of 1
Engineer: JJB			01/14/2013	