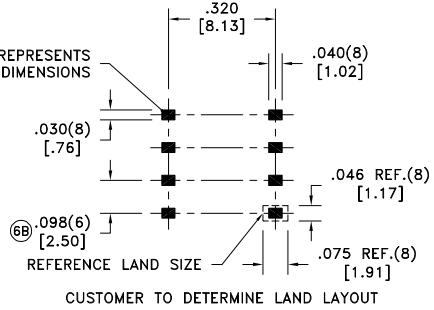
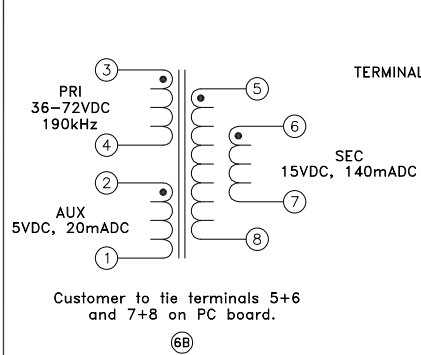
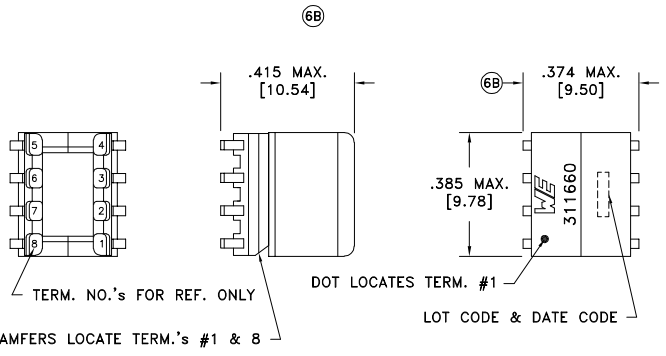


CUSTOMER TERMINAL	RoHS	LEAD(Pb)-FREE
Sn96%, Ag4%	Yes	Yes



ELECTRICAL SPECIFICATIONS @ 25°C unless otherwise noted:

PARAMETER	TEST CONDITIONS	VALUE
D.C. RESISTANCE	3-4 @20°C	1.05 ohms ±10%
D.C. RESISTANCE	2-1 @20°C	0.195 ohms ±10%
D.C. RESISTANCE	tie(5+6, 7+8), @20°C	0.329 ohms ±10%
INDUCTANCE	3-4 100kHz, 100mVAC, Ls	350uH ±10%
SATURATION CURRENT	20% rolloff from initial	520mADC
LEAKAGE INDUCTANCE	3-4 tie(1+2, 5+6+7+8), 100kHz, 100mVAC, Ls	3.0uH typ., 4.5uH max.
DIELECTRIC	3-5 tie(2+4, 5+6), 1875VAC, 1 second	1500VAC, 1 minute
TURNS RATIO	(3-4):(2-1)	6:1, ±1%
TURNS RATIO	(3-4):(5-8)	2:1, ±1%
TURNS RATIO	(3-4):(6-7)	2:1, ±1%



GENERAL SPECIFICATIONS:
 OPERATING TEMPERATURE RANGE: -40°C to +125°C including temp rise.
 Safety Standard Undefined.

Wire insulation & RoHS status not affected by wire color.
 Wire insulation color may vary depending on availability.

DETAILS SUBJECT TO CHANGE

REV.	DATE	Packaging Specifications Method: Tape & Reel PKG-0410 www.we-online.com/midcom		Tolerances unless otherwise specified: Angles: ±1° Fractions: ±1/64 Decimals: ±.005 [0.13] Footprint: ±.005 [0.13]	DRAWING TITLE TRANSFORMER	PART NO. 750311660
6B	2/21			This drawing is dual dimensioned. Dimensions in brackets are in millimeters.	eiSos p/n: 750311660	
6A	1/11	SEE REVISION SHEET FOR REVISION LEVEL				SPECIFICATION SHEET 1 OF 1