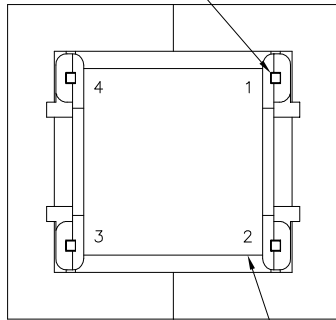
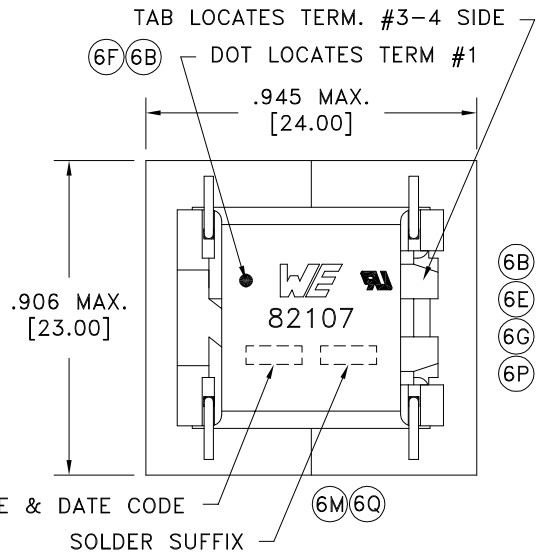
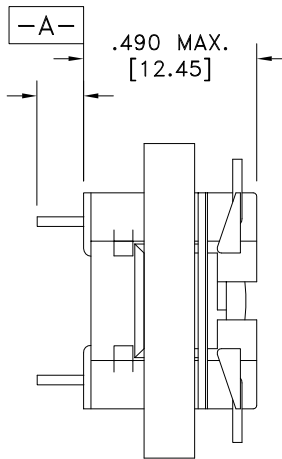


Ⓞ * DIMENSION MAY BE EXCEEDED WITH SOLDER ONLY

PART MUST INSERT FULLY TO SURFACE A IN RECOMMENDED GRID
 .025 SQ. (4) [.64] .110/.140 * [2.79/3.56]

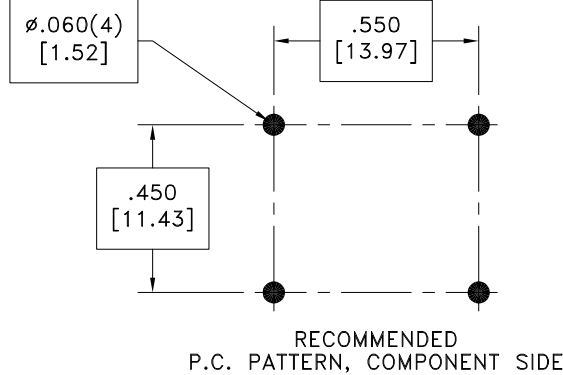
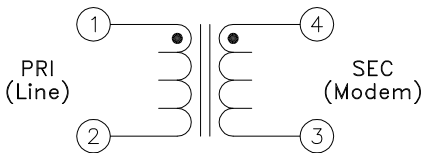


TERM. NO.'s FOR REF. ONLY



SOLDER SUFFIX	CUSTOMER TERMINAL	RoHS	LEAD(Pb)-FREE
LF3	Sn100%	Yes	Yes

ⓄⓄ



RECOMMENDED P.C. PATTERN, COMPONENT SIDE

ELECTRICAL SPECIFICATIONS @ 25°C unless otherwise noted:

- IMPEDANCE: Designed to reflect 600 ohm on PRI with 301 ohm load on SEC.
- LONGITUDINAL BALANCE: 66dB min., 60 - 1000Hz; 46dB min., 1-2, 1000 - 4000Hz; per FCC Part 68.310, with terminal 3 or 4 grounded.
- D.C. RESISTANCE, 20°C: PRI, 152 ohms ±10%. SEC, 152 ohms ±10%.
- FREQUENCY RESPONSE: ±1.0dB, 600Hz - 3500Hz; ±4.0dB, 300Hz - 600Hz.
- INSERTION LOSS: 3.75dB max., 1000Hz, per IEEE method, 20°C, 0 - 65mADC.
- DIELECTRIC RATING: 1500VAC, 1 minute tested by applying 1875VAC for 1 second between PRI - SEC.
- Ⓞ TURNS RATIO: (4-3):(1-2) = 1:1, ±2%.
- OPERATING CONDITIONS: All specs. except as noted to be from -20 to +4dBm, 0 to 65mADC in PRI. 600 ohm source resistance on PRI, 301 ohm load on SEC.

- Ⓞ Designed to comply with the following requirements as defined by IEC60950-1, EN60950-1, UL60950-1/CSA60950-1 and AS/NZS60950.1:
- Ⓞ - Supplementary insulation for a primary circuit at a working voltage of 250Vrms.
- Wire insulation & RoHS status not affected by wire color.
- Ⓞ Wire insulation color may vary depending on availability.
- Ⓞ * Marking detail may be rotated 90° clockwise. Locating dot will not move.

ⓄⓄⓄⓄⓄ

AGENCY NUMBER	
IEC60950-1 (Via CB cert.)	US/9300/UL
JAPAN (Via CB cert.)	US/9300/UL
ACA/AUSTEL (Via CB cert.)	US/9300/UL
ⓄⓄ UL60950-1	E205930
ⓄⓄ CSA60950-1 (Via CUL)	E205930

DETAILS SUBJECT TO CHANGE

Unless otherwise specified:
 Tolerances:
 Angles: ±1°
 Fractions: ±1/64
 Decimals: ±.005[.13]

This drawing is dual dimensioned.
 Dimensions in brackets are in millimeters.

DRAWING TITLE

TRANSFORMER

eiSos p/n: 750082107

SEE REVISION SHEET FOR REVISION LEVEL



PART NO.

82107-LF3

ⓄⓄ

REV.

6R
10/17

SPECIFICATION SHEET 1 OF 1

PART# 82107-LF3