

1

2

3

4

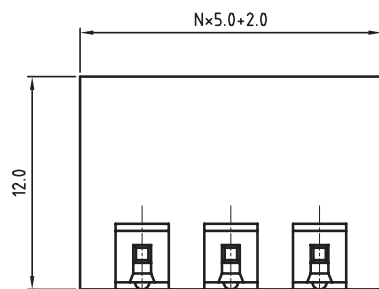
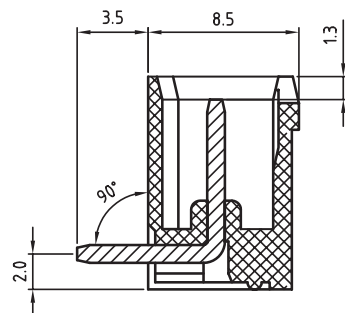
5

A

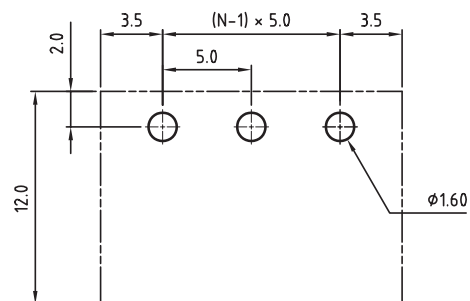
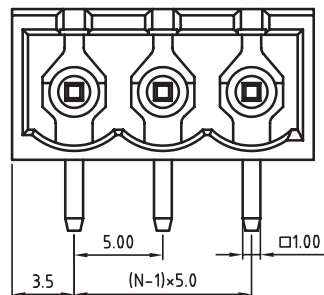
B

C

D



N = Number of contacts



PCB LAYOUT - COMPONENT VIEW

TECHNICAL CHARACTERISTICS

MATERIAL
 INSULATOR: PA66
 FLAMABILITY RATING: UL94-V0
 COLOR: GREEN
 CONTACT: BRASS
 SOLDER TAIL PLATING: TIN

ENVIRONMENTAL
 OPERATING TEMPERATURE: -40 UP TO 105°C
 COMPLIANCE: LEAD FREE AND ROHS

ELECTRICAL	cULus	VDE
CURRENT RATING:	20A	20A
WORKING VOLTAGE:	300VAC	300VAC
WITHSTANDING VOLTAGE:	1.6KV	2.5KV
CONTACT RESISTANCE:	20 mOhm max	
MEASURED SHOCK VOLTAGE:	4KV AS PER DIN EN 60664-1	

MECHANICAL
 STANDARD
 RoHS CERTIFIED E315414
 REACH CERTIFIED 40023195

PITCH: 5.00 MM

SOLDERING
 JEDEC LEAD FREE WAVE PROCESS ONLY

PACKAGING
 BOX

RoHS Compliant

G				PROJECTION:
F	25-FEV-22	PBT -> PA66	AK	
E	30-NOV-17	LENGTH PIN	AK	
D	26-APR-12	CUT VIEW	GG	
C	13-OCT-09	STANDARD	JP	
B	05-MAR-09	ELECTRICAL	JP	APPROVAL: JHe
A	04-NOV-08	PDF	JP	
REV	DATE	FILE	BY	

GENERAL TOLERANCE

.X = ± 0.2 .XX = ± 0.15 

UNIT: MM

SCALE:

SHEET: 1/2

DRAW: MARVIN

DESCRIPTION: SERIE 3137 - 5.00MM CLOSE HORIZONTAL PCB HEADER
WR-TBL

WERI PART NO: 691 313 710 0xx

SIZE

A4