

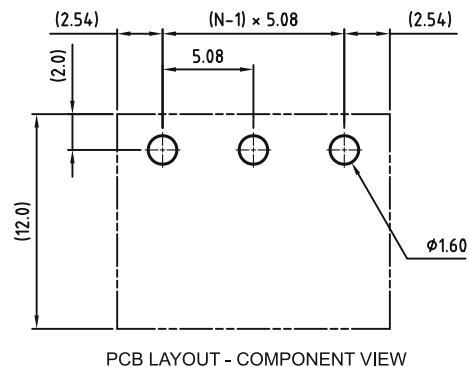
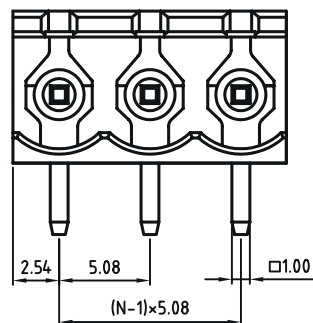
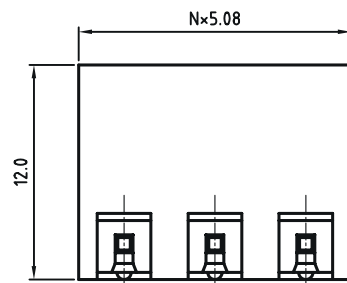
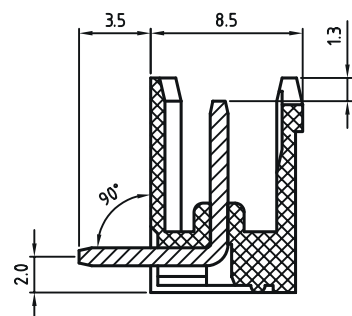
1

2

3

4

5



#### TECHNICAL CHARACTERISTICS

MATERIAL  
 INSULATOR: PA 66  
 FLAMABILITY RATING: UL94-V0  
 COLOR: GREEN  
 CONTACT PIN: BRASS (CuZn)  
 SOLDER TAIL PLATING: TIN

ENVIRONMENTAL  
 OPERATING TEMPERATURE: -40 UP TO 105°C  
 COMPLIANCE: LEAD FREE AND ROHS

ELECTRICAL	cULus	VDE
CURRENT RATING:	20A	20A
WORKING VOLTAGE:	300VAC	300VAC
WITHSTANDING VOLTAGE:	1.6KV	2.5KV
CONTACT RESISTANCE:	20 mOhm MAX	

#### STANDARD

CERTIFIED E315414  
 CERTIFIED 40023195

MECHANICAL  
 PITCH: 5.08MM

SOLDERING: WAVE PROCESS ONLY

PACKAGING: BOX

SERIE 312

RoHS Compliant

PROJECTION:



GENERAL TOLERANCE

.X= +/- 0.20

.XX= +/- 0.15



APPROVAL: JHe

UNIT: MM

SCALE:

SHEET: 1/1

DRAW: CTc

DESCRIPTION: SERIE 312 - 5.08MM OPEN HORIZONTAL PCB HEADER  
 WR-TBL

WERI PART NO: 691 312 510 0xx

SIZE

**A4**

REV	DATE	FILE	BY
A	10-APRIL-2020	PDF	CTc