

1

2

3

4

5

A

B

C

D

TECHNICAL CHARACTERISTICS

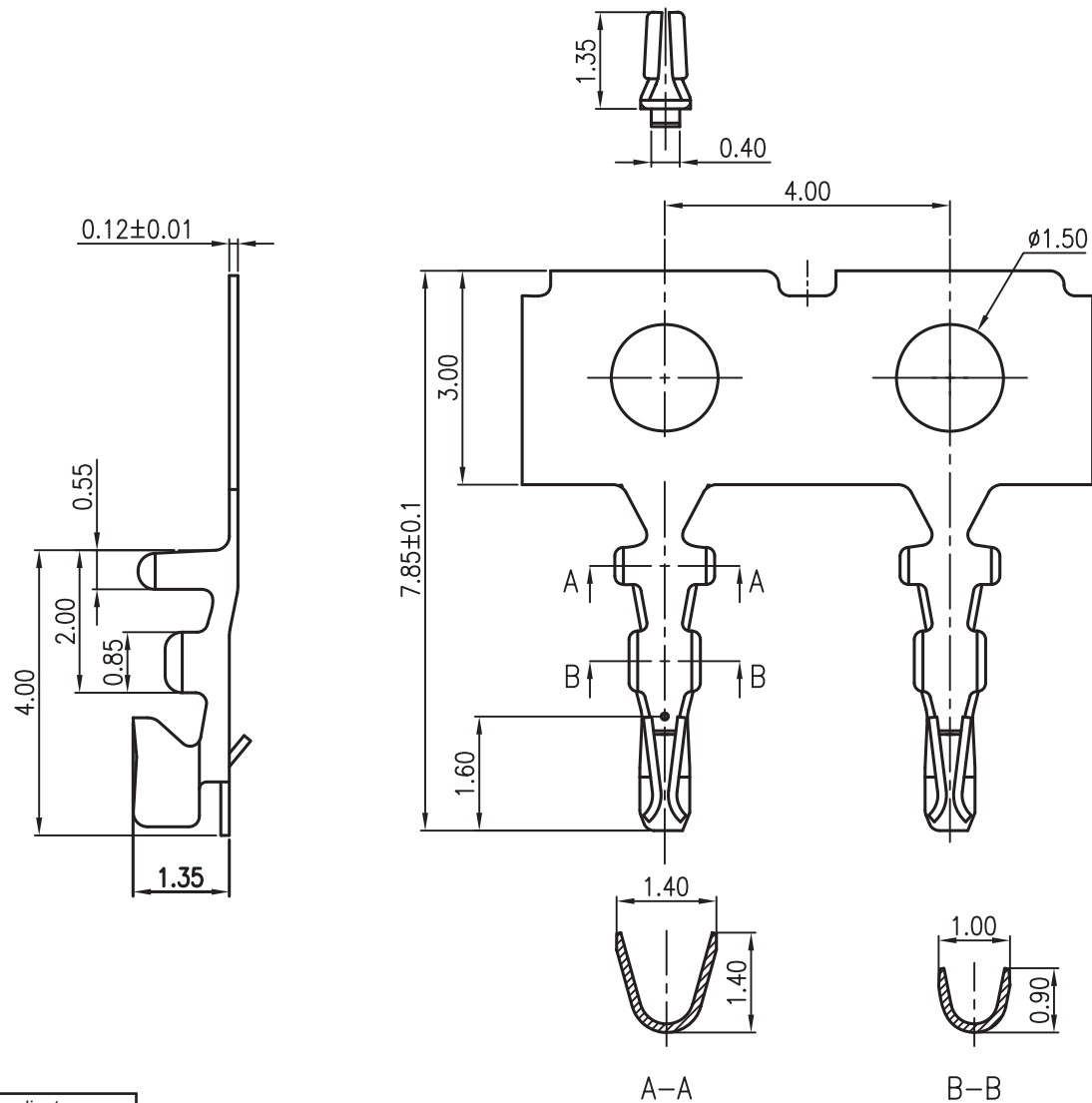
MATERIAL  
CONTACT MATERIAL: PHOSPHOR BRONZE  
CONTACT TYPE: STAMPED  
CONTACT PLATING: TIN  
QUALITY CLASS: 25 MATING CYCLES  
PITCH: FOR 1.00 MM

ENVIRONMENTAL  
OPERATING TEMPERATURE: -25 UP TO 85°C  
COMPLIANCE: LEAD FREE AND ROHS

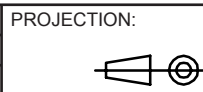
ELECTRICAL  
CURRENT RATING: 1A  
WORKING VOLTAGE: 50V AC  
CONTACT RESISTANCE: 20 mΩ MAX

WIRE DIMENSION:  
AWG: AWG 32 - 28

PACKAGING  
15 KPCS REEL



RoHS Compliant			
B	08-AUG-17	TPK	AK
A	29-JUL-14	PDF	AS
REV	DATE	FILE	BY



APPROVAL: BBu

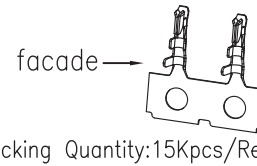
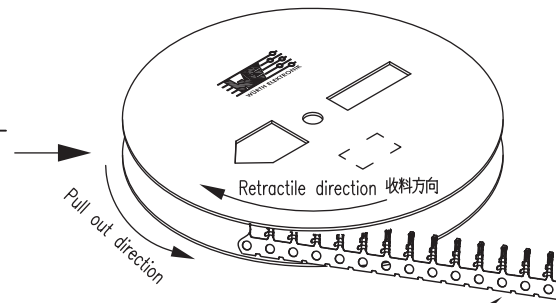
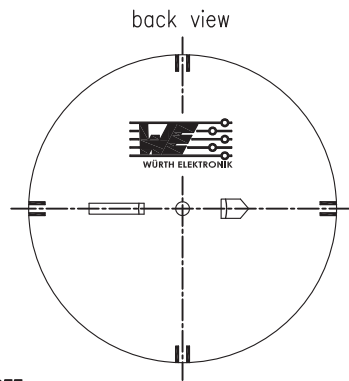
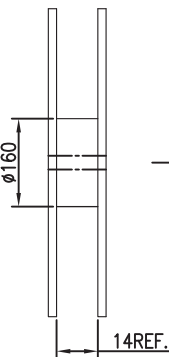
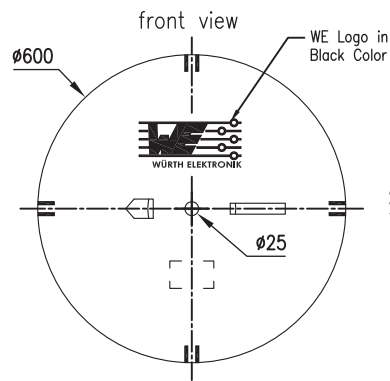
GENERAL TOLERANCE  
.X = +/- 0.2  
.XX = +/- 0.15

UNIT: MM  
SCALE:  
SHEET: 1/3

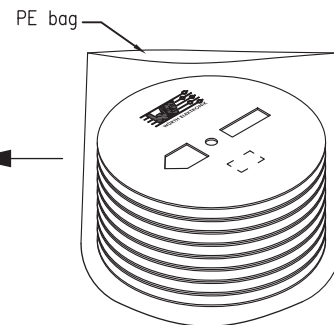


DESCRIPTION: WR-WTB 1.00 MM FEMALE CRIMP TERMINAL  
WERI PART NO: 665 001 137 22

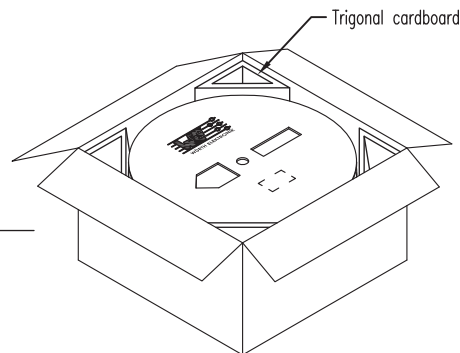
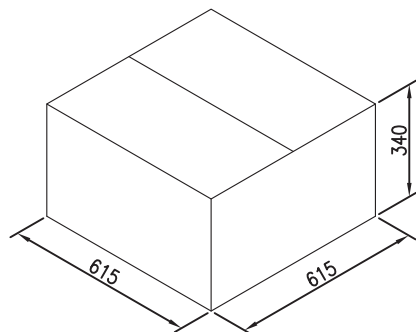
SIZE  
**A4**



packing Quantity: 15Kpcs/Reel

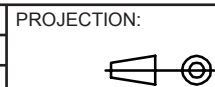


10Reel/carton  
PE Bag: 900\*900\*0.06



Q'ty/Reel	Reel/Carton	Q'ty/Carton
15Kpcs	10Reel	150Kpcs

RoHS Compliant			
G			
F			
E			
D			
C			
B			
A	11-SEP-14	PDF	AS
REV	DATE	FILE	BY



APPROVAL: BBu

GENERAL TOLERANCE  
.X = +/- 0.2  
.XX = +/- 0.15

UNIT: MM  
SCALE:  
SHEET: 2/3  
DRAW: AS



DESCRIPTION: WR-WTB 1.00 MM FEMALE CRIMP TERMINAL

WERI PART NO: 665 001 137 22

SIZE  
**A4**

1

2

3

4

5

## Cautions and Warnings:

This electronic component is designed and developed with the intention for use in general electronics equipments.

Before incorporating the components into any equipments in the field such as aerospace, aviation, nuclear control, submarine, transportation, (automotive control, train control, ship control), transportation signal, disaster prevention, medical, public information network etc. where higher safety and reliability are especially required or if there is possibility of direct damage or injury to human body, Würth Elektronik must be asked for a written approval.

In addition, even electronic component in general electronic equipments, when used in electrical circuits that require high safety, reliability functions or performance, the sufficient reliability evaluation-check for the safety must be performed before by the user before usage.

A

B

C

RoHS Compliant

G				PROJECTION: 	GENERAL TOLERANCE .X = +/- 0.2 .XX = +/- 0.15		
F							
E							
D							
C				APPROVAL: JC	UNIT: MM	DESCRIPTION: DISCLAIMER	SIZE <b>A4</b>
B					SCALE:		
A	10-SEP-14	PDF	QL		SHEET: 3/3	WERI PART NO: DISCLAIMER	
REV	DATE	FILE	BY		DRAW: QL		

D