

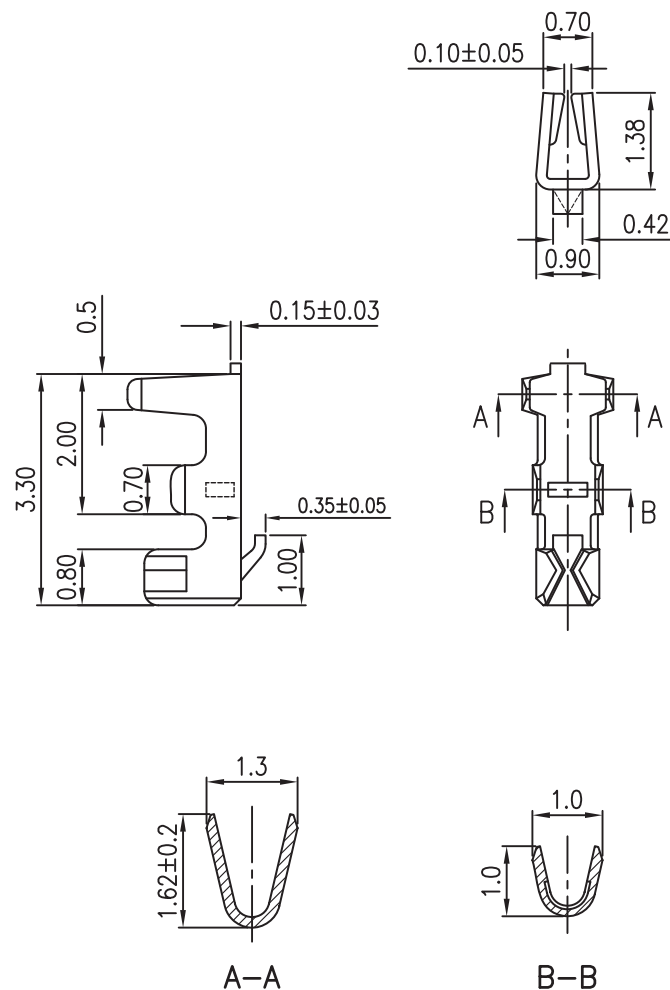
1

2

3

4

5



TECHNICAL CHARACTERISTICS

MATERIAL
 CONTACT MATERIAL: COPPER ALLOY
 CONTACT TYPE: STAMPED
 CONTACT PLATING: TIN
 QUALITY CLASS: 25 MATING CYCLES

ENVIRONMENTAL
 OPERATING TEMPERATURE: -40 UP TO 85°C
 COMPLIANCE: LEAD FREE AND ROHS

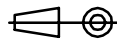
ELECTRICAL
 CURRENT RATING: 1 A
 WORKING VOLTAGE: 125 VAC
 CONTACT RESISTANCE: 20 mOHM MAX

WIRE DIMENSION
 AWG: 28 - 30

PACKAGING
 BULK/LOOSE DELIVERY IN A BAG
 EACH CONTACT SEPARATED FROM EACH OTHER
 NOT ON A REEL
 100PCS/PER BAG. MULTIPLE OF 100PCS ONLY
 1PCS OF 65300113722DEC=1 CRIMP CONTACT
 SO 1 BAG MEANS 100 PCS OF 65300113722DEC

RoHS Compliant

PROJECTION:



GENERAL TOLERANCE

.X = ± 0.2 .XX = ± 0.15 

WÜRTH ELEKTRONIK

APPROVAL: BBu

UNIT: MM

SCALE:

SHEET: 1/3

DRAW: MIKE

DESCRIPTION: 1.25 MM FEMALE TERMINAL CRIMP CONTACT

WERI PART NO: 653 001 137 22 DEC

SIZE

A4

G					GENERAL TOLERANCE .X = ± 0.2 .XX = ± 0.15	 WÜRTH ELEKTRONIK	DESCRIPTION: 1.25 MM FEMALE TERMINAL CRIMP CONTACT WERI PART NO: 653 001 137 22 DEC	SIZE A4
F								
E	08-AUG-17	TPK	AK					
D	14-SEP-16	TPK	AK					
C	19-NOV-15	WORKING VOLTAGE	AK	APPROVAL: BBu	UNIT: MM	DESCRIPTION: 1.25 MM FEMALE TERMINAL CRIMP CONTACT WERI PART NO: 653 001 137 22 DEC	SIZE A4	
B	03-AUG-15	UPDATE	AK					
A	12-MAY-10	PDF	JP					
REV	DATE	FILE	BY					

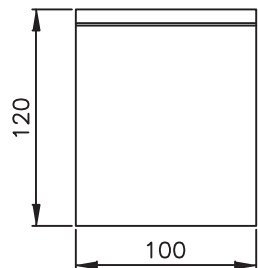
1

2

3

4

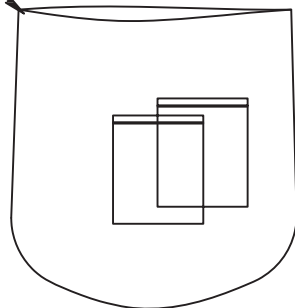
5



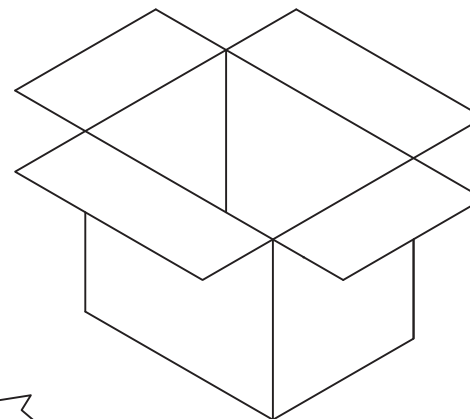
Packing Quantity:100 pcs/Bag



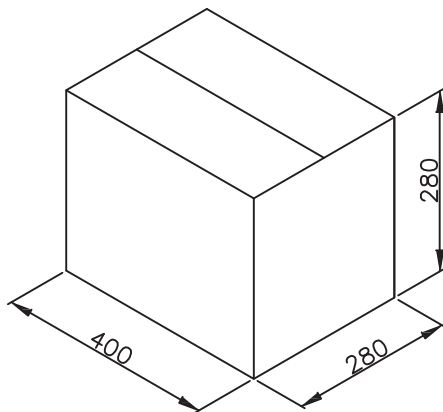
PE bag



100 Bag/PE Bag
PE Bag:900*900*0.06



Packing Quantity: 900 Bag/Carton
90Kpcd/Carton



A

B

C

RoHS Compliant

PROJECTION:



GENERAL TOLERANCE

.X = +/- 0.2

.XX = +/- 0.15



APPROVAL: BBu

UNIT: MM

SCALE:

SHEET: 2/3

DRAW: MIKE

DESCRIPTION: 1.25 MM FEMALE TERMINAL CRIMP CONTACT

WERI PART NO: 653 001 137 22 DEC

SIZE

A4

D

RoHS Compliant				PROJECTION:	GENERAL TOLERANCE		DESCRIPTION: 1.25 MM FEMALE TERMINAL CRIMP CONTACT WERI PART NO: 653 001 137 22 DEC	SIZE A4
G					.X = +/- 0.2			
F						.XX = +/- 0.15		
E				APPROVAL: BBu	UNIT: MM			
D					SCALE:			
C					SHEET: 2/3			
B					DRAW: MIKE			
A								
REV	DATE	FILE	BY					

1

2

3

4

5

Cautions and Warnings:

This electronic component is designed and developed with the intention for use in general electronics equipments.

Before incorporating the components into any equipments in the field such as aerospace, aviation, nuclear control, submarine, transportation, (automotive control, train control, ship control), transportation signal, disaster prevention, medical, public information network etc. where higher safety and reliability are especially required or if there is possibility of direct damage or injury to human body, Würth Elektronik must be asked for a written approval.

In addition, even electronic component in general electronic equipments, when used in electrical circuits that require high safety, reliability functions or performance, the sufficient reliability evaluation-check for the safety must be performed before by the user before usage.

A

B

C

RoHS Compliant

G				PROJECTION: 	GENERAL TOLERANCE .X = +/- 0.2 .XX = +/- 0.15		
F							
E							
D							
C				APPROVAL: JC	UNIT: MM	DESCRIPTION: DISCLAIMER	SIZE A4
B					SCALE:		
A	10-SEP-14	PDF	QL		SHEET: 3/3	WERI PART NO: DISCLAIMER	
REV	DATE	FILE	BY		DRAW: QL		

D