

TECHNICAL CHARACTERISTICS

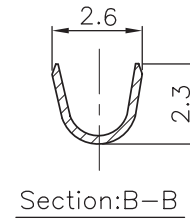
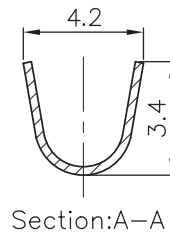
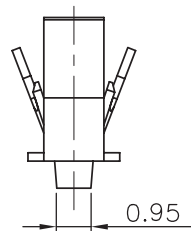
MATERIAL  
 CONTACT MATERIAL: COPPER ALLOY  
 CONTACT TYPE: STAMPED  
 CONTACT PLATING: TIN  
 QUALITY CLASS: 25 MATING CYCLES  
 PITCH: FOR 3.96MM

ENVIRONMENTAL  
 OPERATING TEMPERATURE: -40 UP TO 105°C  
 COMPLIANCE: LEAD FREE AND ROHS

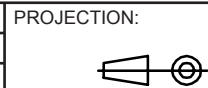
ELECTRICAL  
 CURRENT RATING: 7A  
 WORKING VOLTAGE: 250V AC  
 CONTACT RESISTANCE: 20 mOHM MAX

WIRE DIMENSION  
 AWG: AWG 18 - 22

PACKAGING  
 6 KPCS REEL



RoHS Compliant			
H	06-AUG-13	CHARACTERISTIC	QL
REV	DATE	FILE	BY



APPROVAL: BBu

GENERAL TOLERANCE  
 .X =  $\pm 0.2$   
 .XX =  $\pm 0.15$

UNIT: MM  
 SCALE:  
 SHEET: 1/3  
 DRAW: PEARL



DESCRIPTION: 3.96 MM FEMALE CRIMP TERMINAL  
 WERI PART NO: 645 001 137 22

SIZE  
**A4**

A

B

C

D

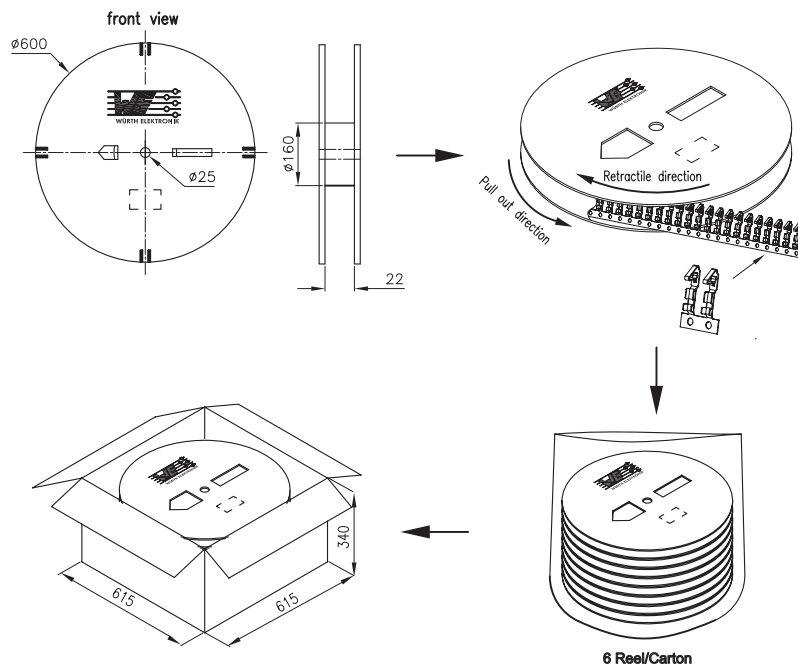
1

2

3

4

5



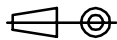
## Note :

1. All dimensions meet EIA-481-3 requirements.
2. Material : WH Conductive polystyrene Alloy.
3. Thickness :  $0.50 \pm 0.05$  mm.
4. Component load per reel : 6000 pcs.
5. Reel size : diameters 160\*25, T=22.
6. Reel chipboard size : diameters 600\*25, T=7.
7. Bag size : 900\*900\*0.06.
8. Carton size : 615\*615\*340.

Q'tY/Reel	Reel/Carton	Q'tY/Carton
6Kpcs	9	54Kpcs

RoHS Compliant

PROJECTION:



GENERAL TOLERANCE

.X =  $\pm 0.2$ .XX =  $\pm 0.15$ 

APPROVAL: BBU

UNIT: MM

SCALE:

SHEET: 2/3

DRAW: MIKE WU

DESCRIPTION: 3.96 MM FEMALE CRIMP TERMINAL

WERI PART NO: 645 001 137 22

SIZE

**A4**

A

B

C

D

1

2

3

4

5

## Cautions and Warnings:

This electronic component is designed and developed with the intention for use in general electronics equipments.

Before incorporating the components into any equipments in the field such as aerospace, aviation, nuclear control, submarine, transportation, (automotive control, train control, ship control), transportation signal, disaster prevention, medical, public information network etc. where higher safety and reliability are especially required or if there is possibility of direct damage or injury to human body, Würth Elektronik must be asked for a written approval.

In addition, even electronic component in general electronic equipments, when used in electrical circuits that require high safety, reliability functions or performance, the sufficient reliability evaluation-check for the safety must be performed before by the user before usage.

A

B

C

RoHS Compliant

G				PROJECTION: 	GENERAL TOLERANCE .X = +/- 0.2 .XX = +/- 0.15		
F							
E							
D							
C				APPROVAL: JC	UNIT: MM	DESCRIPTION: DISCLAIMER	SIZE <b>A4</b>
B					SCALE:		
A	10-SEP-14	PDF	QL		SHEET: 3/3	WERI PART NO: DISCLAIMER	
REV	DATE	FILE	BY		DRAW: QL		

D