

1

2

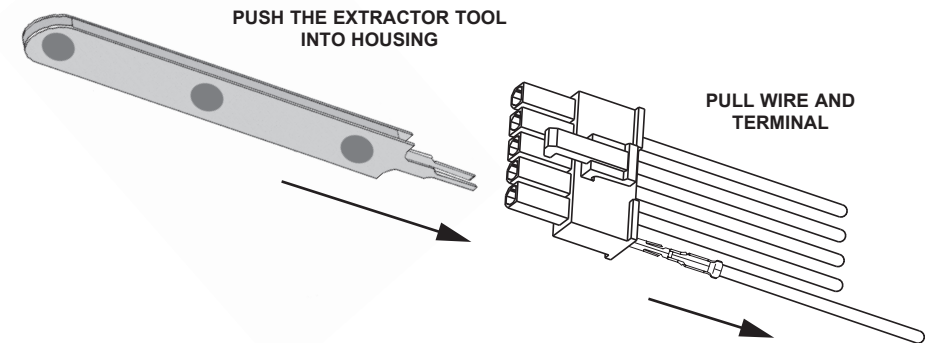
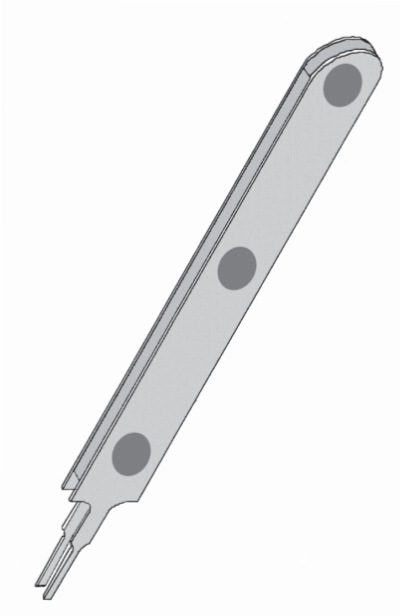
3

4

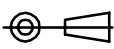

5

OPERATION

- 1 - INSERT THE EXTRACTOR TOOL INTO THE HOUSING.
- 2 - USE THE SLOTS LOCATED ON THE INSIDE OF THE HOUSING TO GUIDE THE EXTRACTION TOOL BLADES INTO THE HOUSING UNTIL CONTACT IS MADE WITH TERMINAL.
- 3 - CONTINUE TO INSERT THE TOOL ALWAYS CHECKING TO SEE THAT BLADES OF EXTRACTION TOOL ARE ON THE OUTSIDE OF THE CONTACT.
- 4 - CONTINUE TO INSERT EXTRACTION TOOL INTO HOUSING UNTIL THE LOCKING TANGS HAVE SNAPPED OUT THEIR LOCKED POSITION, IF THE TERMINAL LOCKING TABS ARE STILL NOT TOTALLY DEPRESSED, HOLD ON TIGHT TO THE WIRE AND PUSH IT TOWARDS THE EXTRACTOR TOOL, THIS WILL COMPLETELY DEPRESS THE LOCKING TABS.
- 5 - GENTLY PULL THE TERMINAL BY THE WIRE, OUT FROM THE HOUSING.



RoHS Compliant

G				PROJECTION: 	GENERAL TOLERANCE .X = ± 0.2 .XX = ± 0.15		DESCRIPTION: MPC4 EXTRACTION TOOLING	SIZE A4
F								
E								
D								
C				APPROVAL: RJ	UNIT: MM	DESCRIPTION: MPC4 EXTRACTION TOOLING		SIZE A4
B	05-NOV-10	PART NUMBER	GG		SCALE:	WERI PART NO: 600649		
A	10-APR-07	PDF	JP		SHEET: 2/2			
REV	DATE	FILE	BY		DRAW: PEARL			