

SOLDER SUFFIX	CUSTOMER TERMINAL	RoHS	LEAD(Pb)-FREE	6C
LF1	Sn96%, Ag4%	Yes	Yes	



ELECTRICAL SPECIFICATIONS @ 25°C unless otherwise noted:

- D.C. RESISTANCE (@20°C): 6-1, 0.171 ohms max. 6D
 9-4, 0.093 ohms max.
 8-3, 1.630 ohms max.
 7-2, 1.630 ohms max.
 10-5, 0.220 ohms max. 6D
- DIELECTRIC RATING; 500VAC, 1 minute tested by applying 625VAC for 1 second between PRI-SEC.
- INDUCTANCE: 32.3uH ±5%, 10kHz, 100mVAC, 6-1, Ls.
- LEAKAGE INDUCTANCE: 500nH typ., 100kHz, 100mVAC, 6-1(tie 9+4, 8+3, 7+2, 10+6, 1+5), Ls.
- 6C TURNS RATIO: (1-6):(9-4) = 1.733:1, ±1%.
 (8-3):(1-6) = 2.62:1, ±1%.
 (7-2):(1-6) = 2.62:1, ±1%.
 (1-6):(10-5) = 1:1, ±1%.

6C OPERATING TEMPERATURE RANGE: -40°C to +125°C including temp rise.

TRANSFORMER INFORMATION:

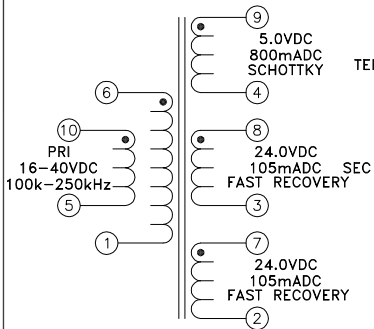
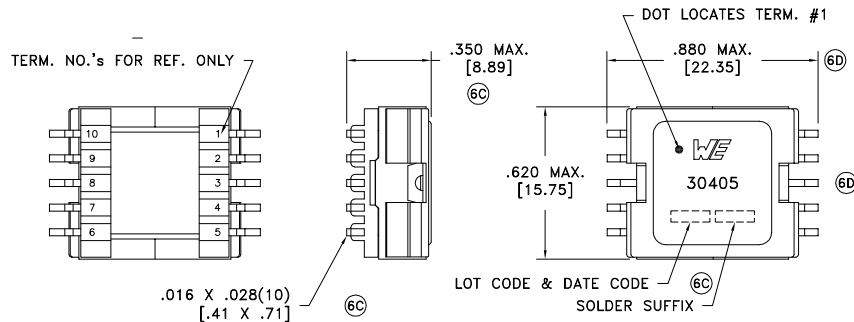
- Pout max.: 9.00W
- Pout min.: 4.90W
- Estimated Temp. Rise @ Pout max.: 40.0°C
- Estimated Efficiency: 78.1%
- Estimated Maximum Duty Cycle: 39.7%

SWITCH SELECTION INFORMATION

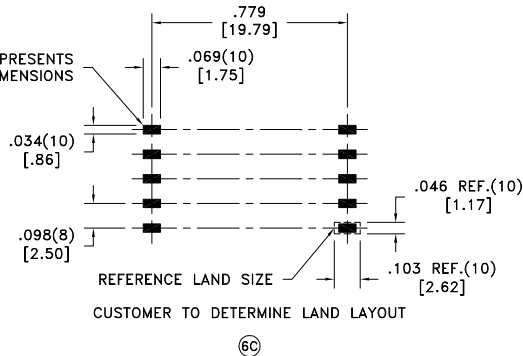
- Input Voltage Range: 16 - 40V
- Peak Current: 2.836A
- Vsw @ Rated Output Voltages: 50 + (Vmax - 40)
- Operating Frequency: 100k - 250kHz

Transformer will operate in Discontinuous Mode below Minimum Specified Output Voltage of Pout Min. Pout min. varies with frequency of switcher (from 100 to 250kHz)
 Pout Min = 490.0/(Frequency in kHz) Watts.

6C



AREA REPRESENTS TERMINAL PAD DIMENSIONS



6D Wire insulation & RoHS status not affected by wire color.
 Wire insulation color may vary depending on availability.

6C DETAILS SUBJECT TO CHANGE

REV.	DATE	Packaging Specifications		Tolerances unless otherwise specified: Angles: ±1° Fractions: ±1/64 Decimals: ±.005 [.13] Footprint: ±.005 [.13]	DRAWING TITLE	PART NO.
6D	9/17	Method: Tape & Reel		TRANSFORMER	30405R-LF1	
6C	3/11	PKG-1028		This drawing is dual dimensioned. Dimensions in brackets are in millimeters.	eiSos p/n: 750030405 	SPECIFICATION SHEET 1 OF 1
6B	6/98	www.we-online.com/midcom				
6A	8/97	SEE REVISION SHEET FOR REVISION LEVEL				