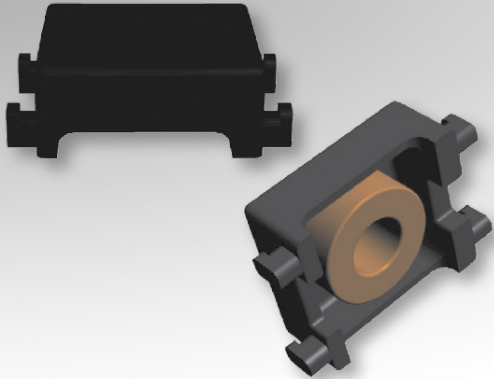


Toroid Headers

TOR-4P-HT3

4-Terminal, SMT



Characteristics:

This SMT toroidal header was developed with plastic terminals. It is designed with a low profile and compact footprint for functional insulation cases.

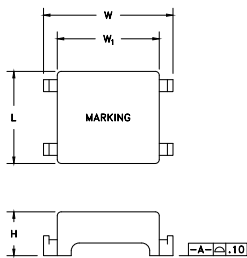
Applications:

- CMC
- Gate drive
- Inductor
- Signal isolation
- Telecom

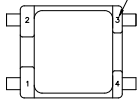
Technical Data:

Order Code	Type of Insulation	A_e (mm ²)	L_e (mm)	V_e (mm ³)	Ø OD max. (mm)	Cavity Depth (mm)	L (mm)	W (mm)	H (mm)	W_1 (mm)
250-1318	Functional	2.31	9.71	22.38	5	1.6	6 max.	8.26 max.	3 max.	6.5 ref.

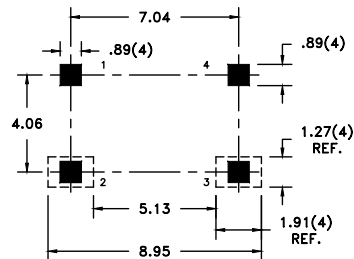
Dimensions:



TERM. NO.s* FOR REF. ONLY



Footprint (mm):



SOLID FILL: TERMINAL PAD DIMENSIONS
DASHED OUTLINE: REFERENCE LAND SIZE
CUSTOMER TO DETERMINE LAND LAYOUT
TOLERANCE: ±.13