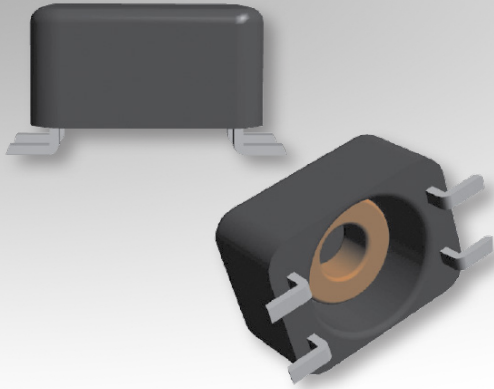


Toroid Headers

TOR-4P-HT4.7

4-Terminal, SMT



Characteristics:

This SMT toroidal header was developed with metal terminals. It is designed with a compact footprint for functional insulation cases.

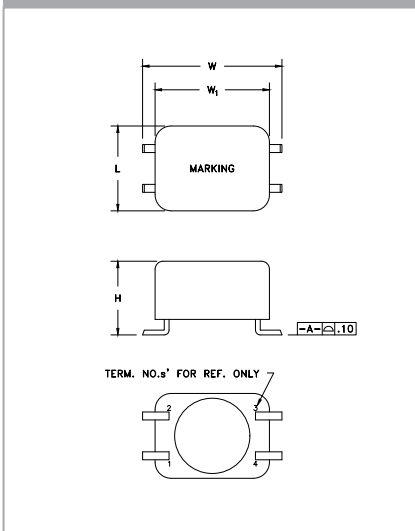
Applications:

- CMC
- Gate drive
- Inductor
- Signal isolation
- Telecom

Technical Data:

Order Code	Type of Insulation	A_e (mm ²)	L_e (mm)	V_e (mm ³)	\emptyset OD max. (mm)	Cavity Depth (mm)	L (mm)	W (mm)	H (mm)	W_1 (mm)
250-1317	Functional	1.9	9.27	17.61	4.8	3.1	5.53 max.	9.6 max.	4.83 max.	7.3 ref.

Dimensions:



Footprint (mm):

