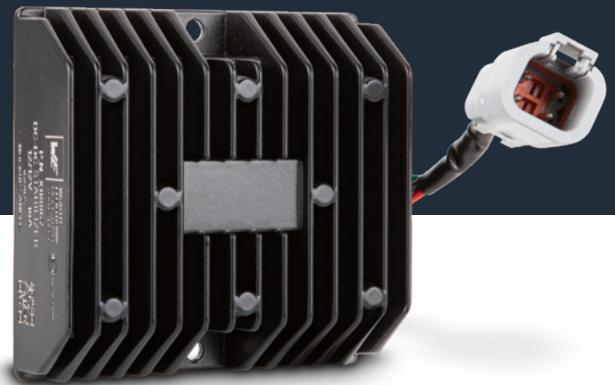


DC/DC STABILIZER 12 / 12 V 10 A

Function-specific Modules



DC/DC Converters are electronic devices whose function is to produce a constant output voltage level from a variable input voltage. DC/DC Converters are characterised by their input and output voltage levels and output current.

Würth Elektronik ICS offers standard DC/DC Converters designed and qualified for use in mobile machines and commercial vehicles. We are also able to adapt standard converters to our customers' requirements.

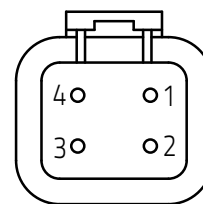
Technical information

General information	
Nominal input voltage	12 / 24 V DC
Input voltage range	9 – 32 V DC
Crank input voltage	< 6 V DC (with derating)
Input over voltage Turn OFF	< 37 V DC
Stand-by current	< 0.1 mA (enable / Key OFF)
Output start up	< 50 ms
Output voltage range	12 Vdc ± 0.5 Vdc
Output switching frequency	150 kHz ± 10 %
Output voltage ripple	< 200 mVpp
Nominal current	10 A
Peak current	15 A (≤ 2")
Working temperature	-40 °C / +85 °C (with derating)
Storage temperature	-40 °C / +85 °C
Efficiency	> 95 %
EMC compliance	Meets ECE R10 standards

Protections	
Internal overheat	
Input reverse polarity	
Input overvoltage	
Short circuit	
Overload	
Protection class IP67	

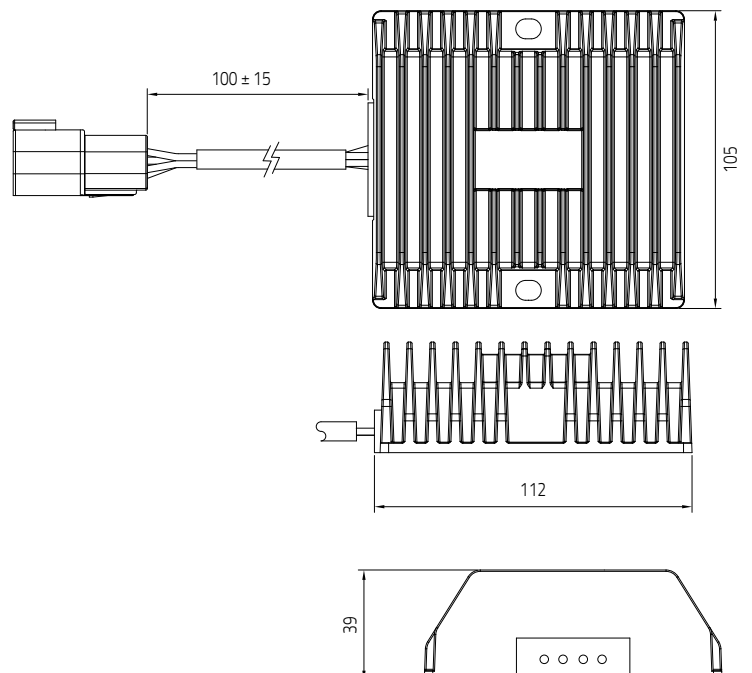
Pin-out

Pin assignment	
Pin 1 (RED)	Vin
Pin 2 (BLACK)	GND
Pin 3 (GREEN)	Vout
Pin 4 (YELLOW)	Enable / Key



Front view
Connector type: ATP04-4P

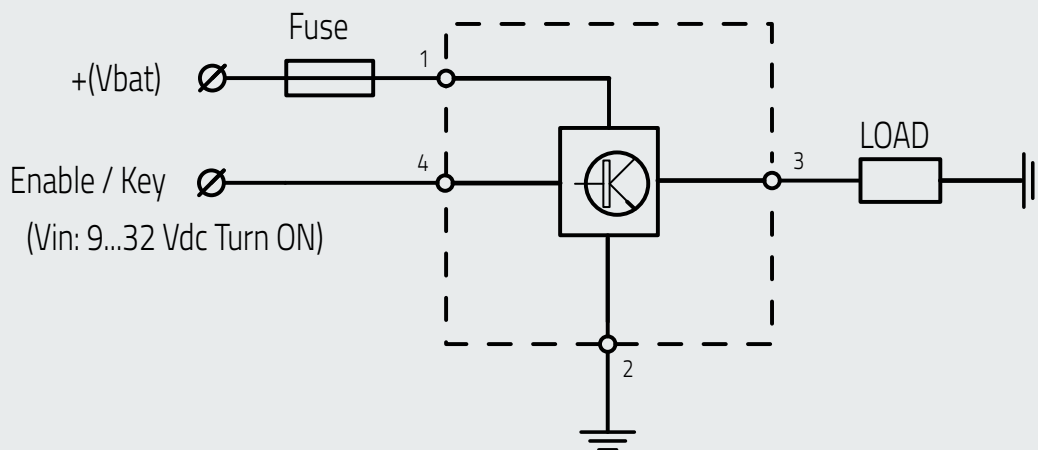
Dimensions



DC/DC STABILIZER 12 / 12 V 10 A

Function-specific Modules

Wiring diagram



Order information

Product information	
Part No.	X09054
Description	DC/DC Stabilizer 12/12 V 10 A
Voltage range	9 – 32 V DC



This item is a standard product, please consider the relevant datasheet notes. The user is responsible for the product's functionality in its purposed system environment. Technical content may be modified and changed by Würth Elektronik ICS GmbH & Co. KG without any notice.

CONTACT US

Würth Elektronik ICS GmbH & Co. KG
Intelligent Power & Control Systems
ics@we-online.com · www.we-online.com/ics