

# DC/DC CONVERTER 24/12 V 25 A

Function-specific Modules



**DC/DC Converters** are electronic devices whose function is to produce a constant output voltage level from a variable input voltage. DC/DC Converters are characterised by their input and output voltage levels and output current.

Würth Elektronik ICS offers standard DC/DC Converters designed and qualified for use in mobile machines and commercial vehicles. We are also able to adapt standard converters to our customers' requirements.

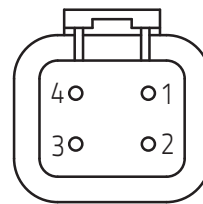
## Technical information

General information	
Nominal input voltage	24 V DC
Input voltage range	16 – 32 V DC
Input Turn ON voltage	< 7 V DC (with derating)
Crank input voltage	< 12 V DC (with derating)
Input over voltage Turn OFF	< 37 V DC
Stand-by current	< 3 mA < 0.1 mA (enable / Key OFF)
Output start up	< 500 ms
Output voltage range	13.5 Vdc ± 0.5 Vdc
Output switching frequency	200 kHz ± 20 kHz
Output over voltage Turn OFF	< 17 V DC
Output voltage ripple	< 200 mVpp
Nominal current	25 A
Peak current	30 A (> 500 ms)
Working temperature	-40 °C / +85 °C (with derating)
Storage temperature	-40 °C / +85 °C
Efficiency	> 95 %
EMC compliance	Meets ECE R10 standards

Protections	
Internal overheat	
Input reverse polarity	
Input overvoltage	
Output overvoltage	
Overload	
Shortcircuit	
Protection class IP67	

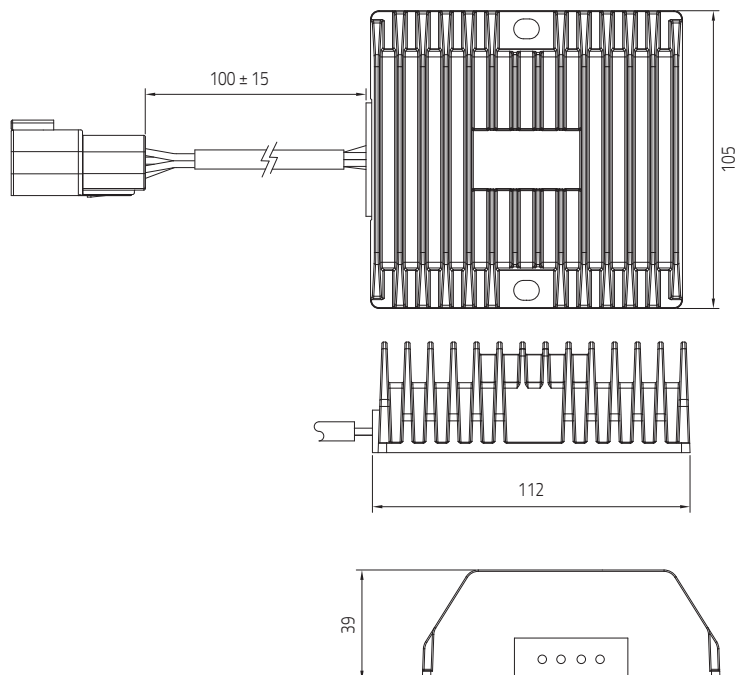
## Pin-out

Pin assignment	
Pin 1 (RED)	Vin
Pin 2 (BLACK)	GND
Pin 3 (GREEN)	Vout
Pin 4 (YELLOW)	Enable / Key



Front view  
Connector type: ATPO4-4P

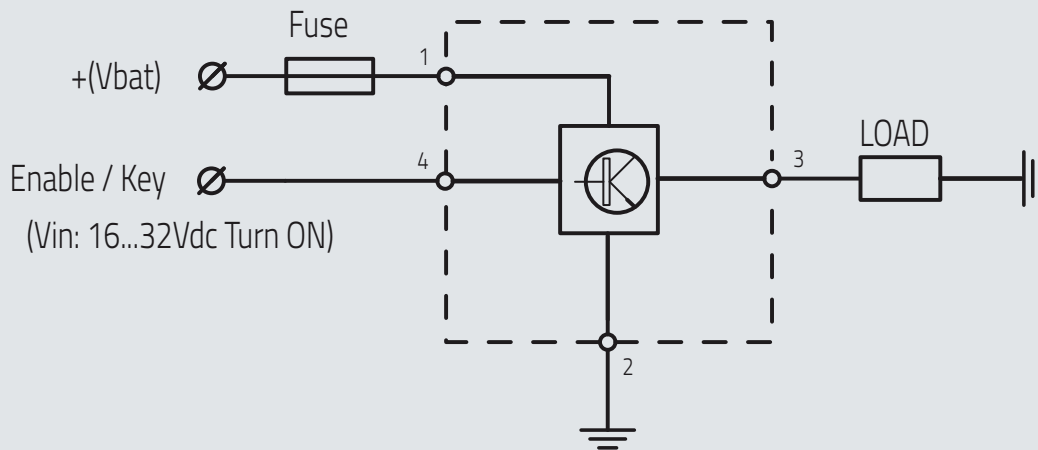
## Dimensions



# DC/DC CONVERTER 24/12 V 25 A

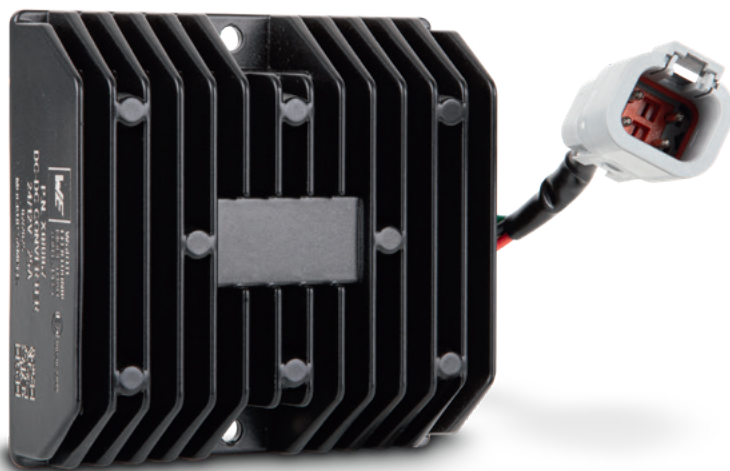
Function-specific Modules

## Wiring diagram



## Order information

Product information	
Part No.	X08867
Description	DC/DC Converter 24 V/12 V 25 A
Voltage range	16 – 32 V DC



This item is a standard product, please consider the relevant datasheet notes. The user is responsible for the product's functionality in its purposed system environment. Technical content may be modified and changed by Würth Elektronik ICS GmbH & Co. KG without any notice.

## CONTACT US

Würth Elektronik ICS GmbH & Co. KG  
Intelligent Power & Control Systems  
ics@we-online.com · www.we-online.com/ics