

REDLINE POWER BOX MINI 48 V

Standard Version



Compact size, high protection class: the **REDline Power Box Mini 48 V** is a great secondary power distribution unit for your hybrid or small size full electrical vehicles.

Using the HDSCS connector family for the outputs and SurLok connector for the inputs we can provide you with a fully plug and play and protected electrical system.

Standard version of the product is presented on this document. Customisation of the box content can be realised according to your requirements. Contact us for more information.

The advantages of our REDline Power Boxes summarised:

- **Robust & durable:** Thanks to high IP levels and cable harness reduction
- **Fast project processing:** Due to a broad range of standardised housings and a structured and established product development process
- **High economic efficiency:** Resulting from simplified installation and maintenance as well as low tooling and engineering costs
- **Convincing service concept:** We support you from the first idea up to serial production of your tailor-made solution and beyond
- **Compact & modular architecture:** Thanks to the modular building block system, the customer-specific configurable PCB and the efficient use of space

Technical data

Mechanical data	
Box dimensions	136 x 90 x 98 mm
PCB dimensions	68 x 90 mm
Operating temperature	-40 °C up to +85 °C
IP protection class	IP66 / IP69K (dust proof / protected against powerful water jets under pressure)
Specifics	Integrated compression limiter Wall mounting Possibility to "dock" modules together

Electrical data		
Power inputs	1 x 3.6 mm SurLok Plus 1 x 8 mm SurLok Plus	
Connector	HDSCS 18-pins	
Components	2 x MINI fuses 2 x MAXI fuses 3 x Mini relays	

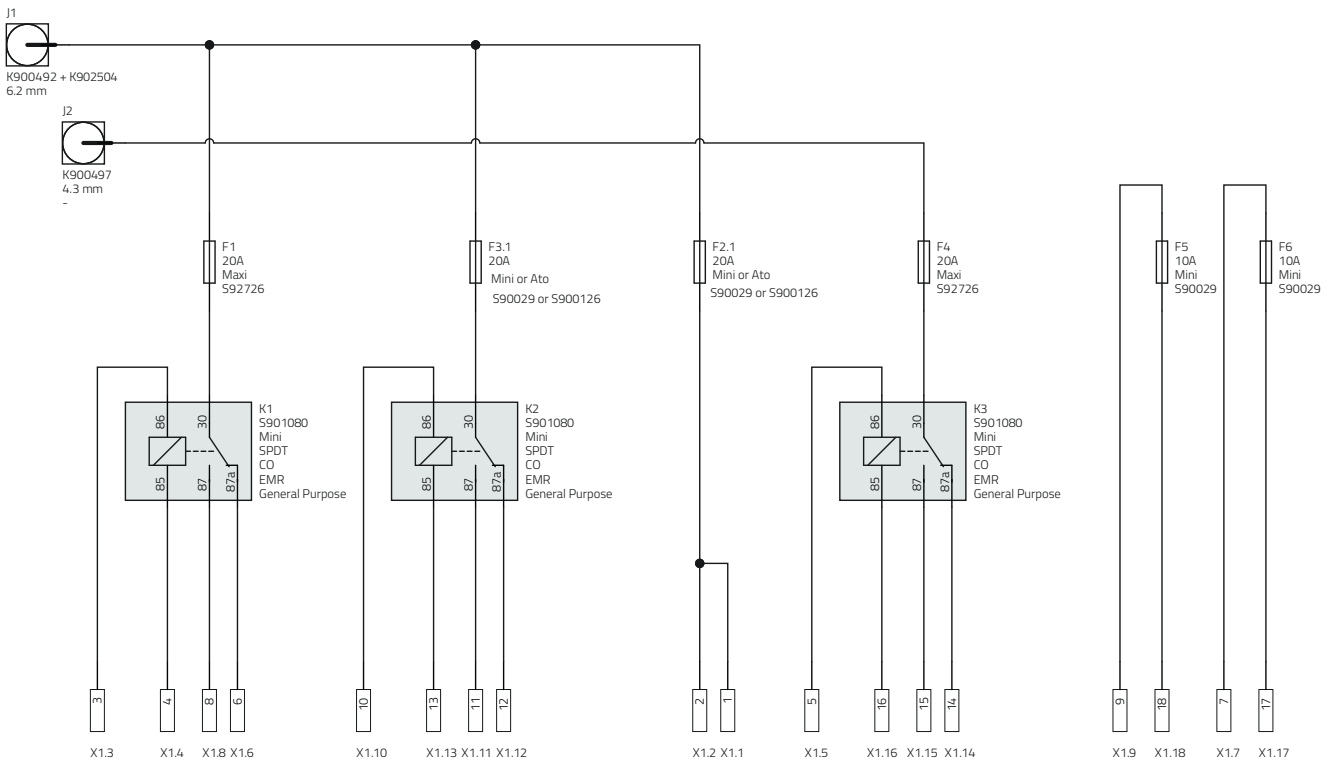
Mating connectors		
Description	Coding	Standard
HDSCS 18-pins	A	1-1563759-1
SurLok Plus 3.6 mm	no coding	SLPHPM10BSB1
SurLok Plus 8.0 mm	no coding	SLPIPB50BSB0

This item is a standard product, please consider the relevant datasheet notes. The user is responsible for the product's functionality in its purposed system environment. Technical content may be modified and changed by Würth Elektronik ICS GmbH & Co. KG without any notice.

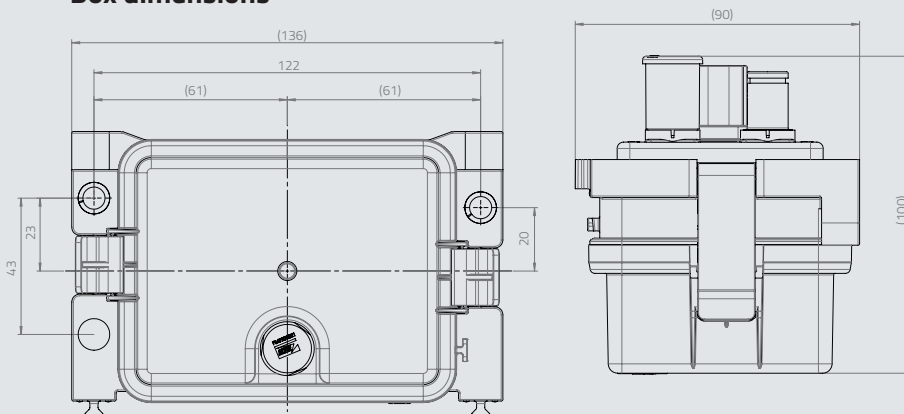
REDLINE POWER BOX MINI 48 V

Standard Version

Electrical schematic



Box dimensions



Order information

REDline Power Box Mini 48 V Standard

Unequipped (without fuses and relays)	ICS-103039-48V
Equipped (with 48 V fuses and relays)	ICS-104402

For more information write us an e-mail ics@we-online.com, call +49 7940 9810-0 or visit us at www.we-online.com/ics

Würth Elektronik ICS GmbH & Co. KG
 Intelligent Power & Control Systems
 Gewerbepark Waldzimmern · Würthstraße 1
 74676 Niedernhall · Germany
 Tel.: +49 7940 9810-0 · Fax +49 7940 9810-1099
ics@we-online.com · www.we-online.com/ics