

ICCS – Intelligent Control and Command Systems



ICCS Micro CAN 4/I/O

ICCS Micro CAN 4 I/O – Standalone module or extension module to an existing CAN bus system. The module is equipped with a Freescale HCS08 processor with flash-technology and offers multiple programming possibility. Therefore, an extensive control system can be built up. The software boot loader has the ability to update the firmware directly through the CAN bus interface. The integrated CAN bus interface supports the data with the vehicle and Wake-On-CAN feature.

Applications

- Input and output extensions for CAN bus systems
- Sensors to CAN module
- Programmable logic allows local execution of complex tasks and data preformatting

Technical Data

GENERAL INFORMATION	
Connector	9 Pins DIN
Dimensions	30 x 30 x 40 mm
Weight	~30 g
Operating temperature	-40 °C to 85 °C (no full load at 85 °C)
Storage temperature	-40 °C to 85 °C
Ingress protection	IP53
EMC	ECE10 Rev.4 : E1 7199
Operating voltage	9 to 30 V DC
Pre-fusing (recommended)	10 A
Current consumption	25 mA
Processor type	Freescale HCS08
Clock frequency	20 MHz
Flash memory	60 kB
RAM	4 kB
EEPROM	1 kB available for graphical programming

CAN BUS

acc. ISO 11898-5	High speed, low power, with wake up
acc. CAN 2.0B	29 Bits extended address identifier
acc. CAN 2.0A	11 Bits address identifier
Baud rate	20 kBit/s to 1000 kBit/s (125 kBit/s default value)

INPUTS / OUTPUTS OVERVIEW

4	Analogue inputs or digital outputs	0–10 V DC 12 bits max 2 A
1	Analogue input	0–10 V DC 12 bits

Every analogue input is also usable as a digital input in the programming software.

INPUTS / OUTPUTS DETAILS

Analogue inputs

Input voltage range	0–11.4 V DC
Input voltage max	Vsupply
Resolution	12 bits
Input resistance	22.6 kΩ
Input frequency	max 30 Hz (0–11.4 V DC)

Digital outputs

Load current	max 2 A
--------------	---------

PWM outputs

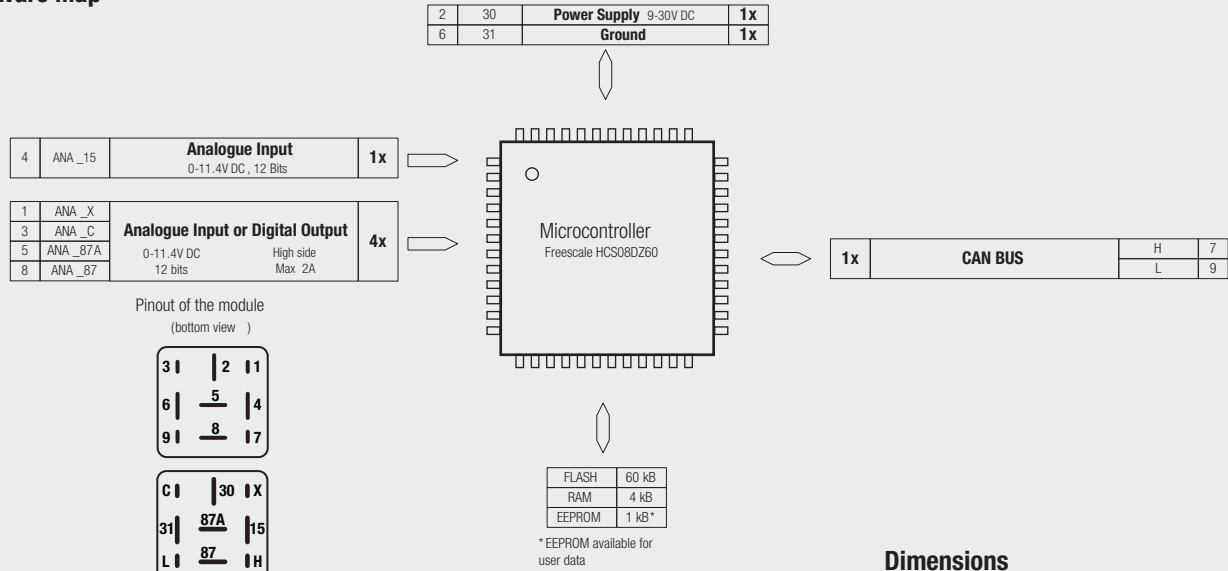
PWM frequency	max 1 kHz
Duty cycle	0 to 100 %
Resolution	0.1 %
Load current	max 1 A

If analogue input is used as a digital input, the switch-on and switch-off levels are 7 V and 4 V DC.

ICCS ICCS Micro CAN 4I/O



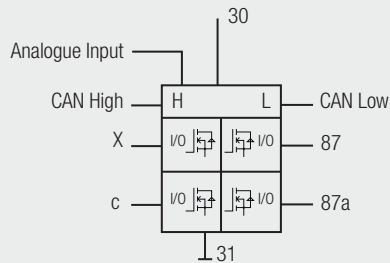
Hardware Map



Dimensions



Schematics



PIN ASSIGNMENT

Pin	Description	Function
1	X	I/O X
2	30	Main power supply 9-30 V DC
3	C	I/O C
4	15	Analogue input 0-10 V DC
5	87A	I/O 87 A
6	31	Ground
7	CAN-H	CAN bus high
8	87	I/O 87
9	CAN-L	CAN bus low

Order information

AVAILABLE REFERENCES	PART NUMBER
ICCS Micro CAN 4 I/O	ICS-102399

This item is a standard product, please consider the relevant datasheet notes.
The user is responsible for the product's functionality in its purposed system environment.

For more information visit us at
www.we-online.com/ics or call
+49 7940 9810-0

Würth Elektronik ICS GmbH & Co. KG
Intelligent Power & Control Systems
Gewerbepark Waldzimmern
Würthstraße 1
74676 Niedernhall
Germany
Tel. +49 7940 9810-0
Fax +49 7940 9810-1099
ics@we-online.com
www.we-online.com/ics