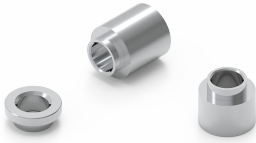


Overview



Characteristics

- Automotive approved
- Maximum temperature 150 °C
- Material composition : Steel
- Tin plated surface
- Thickness of handling solder paste 150µm
- Tightening torque 0.5 N*m

Applications

- Assembling of PCBs to housing and to other PCBs
- For distances from 1 to 15 mm
- Full automation for fast and precise process
- High holding forces and torques
- Highest process reliability
- Instant removable polyimide tape

Certification:

RoHS Approval	Compliant [2011/65/EU&2015/863]
REACH Approval	Conform or declared [(EC)1907/2006]
Halogen Free	Conform [JEDEC JS709B]
Halogen Free	Conform [IEC 61249-2-21]
Automotive Approval	Released

General Information:

Operating Temperature	-55 °C up to +150 °C
Storage Conditions (in original packaging)	< 40 °C ; < 75 % RH
Moisture Sensitivity Level (MSL)	1

ORDER
SAMPLES

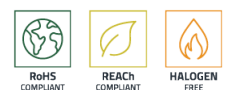
SIMULATE IN
REDEXPERT



Specific Information

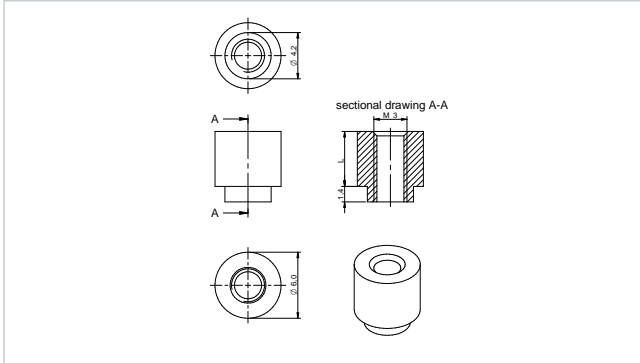
Order Code	L (mm)	Ø ID (mm)	Ø OD (mm)	Ø f (mm)	Thread	Packaging	Revision
Size WA-SMSA							
78614010360	1	4.2	6	–	M3	Tape and Reel	001.002
78614010960	1	4.2	6	3.3	–	Tape and Reel	001.002
78614015360	1.5	4.2	6	–	M3	Tape and Reel	001.002
78614015960	1.5	4.2	6	3.3	–	Tape and Reel	001.002
78614020360	2	4.2	6	–	M3	Tape and Reel	001.002
78614020960	2	4.2	6	3.3	–	Tape and Reel	001.002
78614025360	2.5	4.2	6	–	M3	Tape and Reel	001.002
78614025960	2.5	4.2	6	3.3	–	Tape and Reel	001.002
78614030360	3	4.2	6	–	M3	Tape and Reel	001.002
78614030960	3	4.2	6	3.3	–	Tape and Reel	001.002
78614040360	4	4.2	6	–	M3	Tape and Reel	001.002
78614040960	4	4.2	6	3.3	–	Tape and Reel	001.002
78614050360	5	4.2	6	–	M3	Tape and Reel	001.002
78614050960	5	4.2	6	3.3	–	Tape and Reel	001.002
78614060360	6	4.2	6	–	M3	Tape and Reel	001.002
78614060960	6	4.2	6	3.3	–	Tape and Reel	001.002
78614070360	7	4.2	6	–	M3	Tape and Reel	001.002
78614070960	7	4.2	6	3.3	–	Tape and Reel	001.002
78614080360	8	4.2	6	–	M3	Tape and Reel	001.002
78614080960	8	4.2	6	3.3	–	Tape and Reel	001.002
78614090360	9	4.2	6	–	M3	Tape and Reel	001.002
78614090960	9	4.2	6	3.3	–	Tape and Reel	001.002
78614100360	10	4.2	6	–	M3	Tape and Reel	001.002
78614100960	10	4.2	6	3.3	–	Tape and Reel	001.002
78614110360	11	4.2	6	–	M3	Tape and Reel	001.002
78614110960	11	4.2	6	3.3	–	Tape and Reel	001.002
78614120360	12	4.2	6	–	M3	Tape and Reel	001.002
78614120960	12	4.2	6	3.3	–	Tape and Reel	001.002
78614130360	13	4.2	6	–	M3	Tape and Reel	001.002
78614130960	13	4.2	6	3.3	–	Tape and Reel	001.002
78614140360	14	4.2	6	–	M3	Tape and Reel	001.002
78614140960	14	4.2	6	3.3	–	Tape and Reel	001.002
78614150360	15	4.2	6	–	M3	Tape and Reel	001.002
78614150960	15	4.2	6	3.3	–	Tape and Reel	001.002

ORDER SAMPLES **SIMULATE IN REDEXPERT**

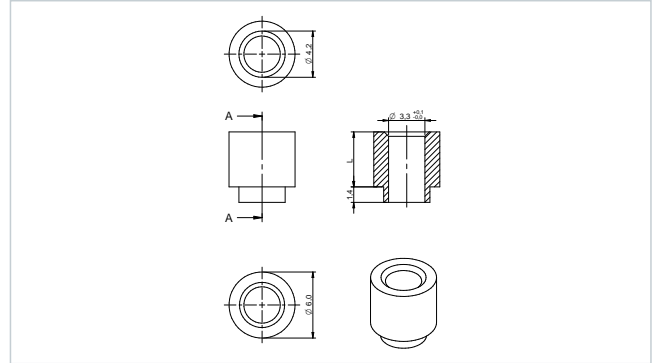


Drawings

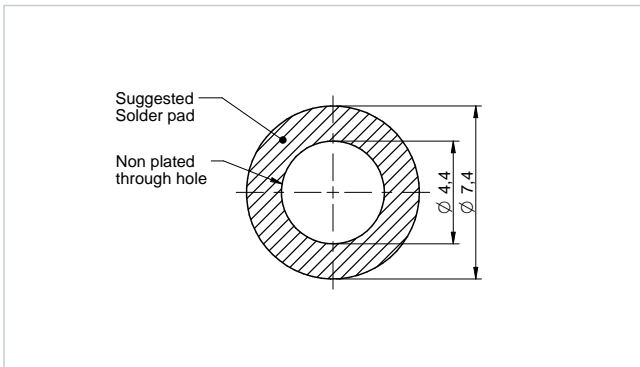
Dimensions: [mm] 78614xxx360



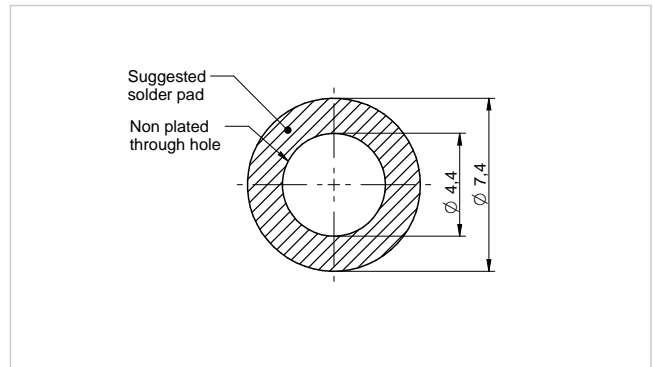
Dimensions: [mm] 78614xxx960



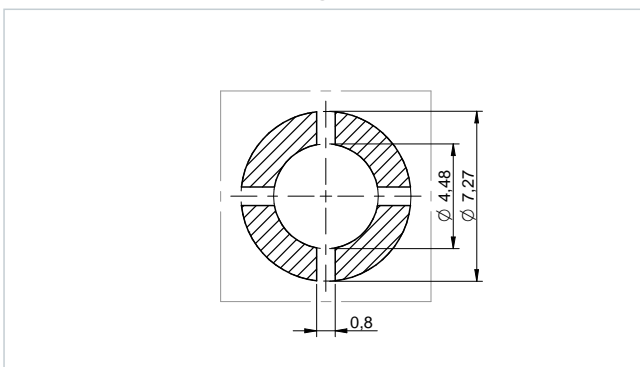
Recommended Land Pattern: [mm] 78614xxx360



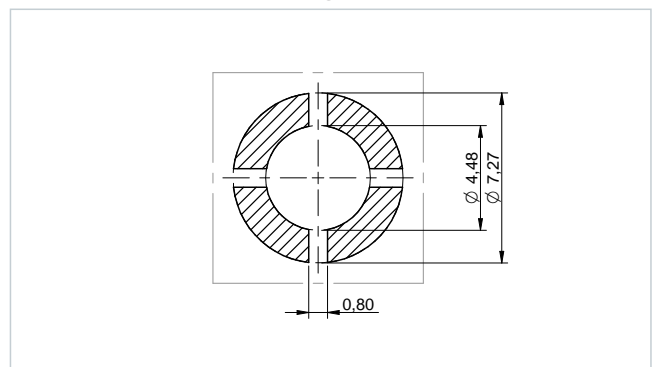
Recommended Land Pattern: [mm] 78614xxx960



Recommended Stencil Design: [mm] 78614xxx360



Recommended Stencil Design: [mm] 78614xxx960



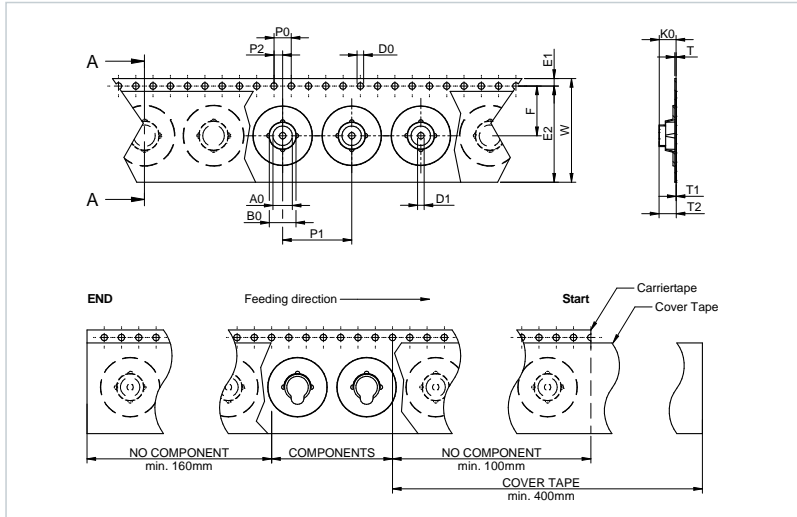
**ORDER
SAMPLES** **SIMULATE IN
REDEXPERT**



Packaging Specification

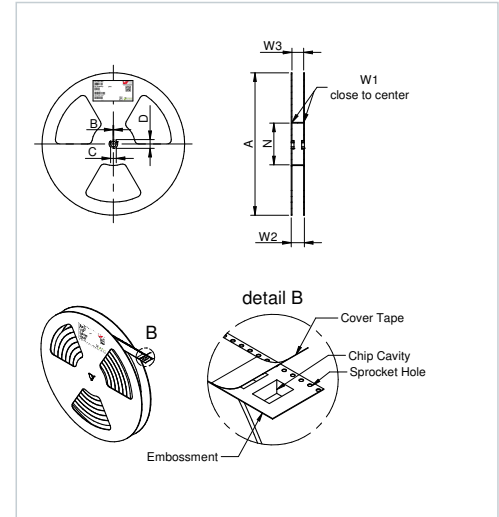
Size WA-SMSA

Packaging Specification - Tape: [mm]



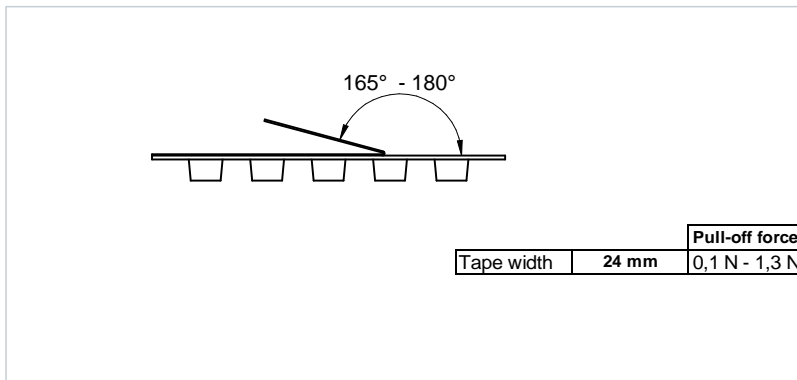
	A0 (mm)	B0 (mm)	W (mm)	T (mm)	T1 (mm)	T2 (mm)	K0 (mm)	P0 (mm)	
Tolerance	typ.	typ.	+0,3/ -0,1	max.	min.	typ.	typ.	±0,1	
Value	2a	4,50	6,20	24,00	0,60	0,10	3,05	2,75	
	P1 (mm)	P2 (mm)	D0 (mm)	D1 (mm)	E1 (mm)	E2 (mm)	F (mm)	Material	Qty. (pcs.)
Tolerance	±0,1	±0,1	+0,1/ -0,0	min.	±0,1	min.	±0,1		
Value	16,00	2,00	1,50	1,50	1,75	22,25	11,50	Polystyrene	1500

Packaging Specification - Reel: [mm]

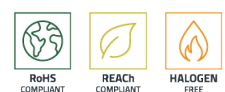


	A (mm)	B (mm)	C (mm)	D (mm)	N (mm)
Tolerance	± 2,0	min.	min.	min.	min.
Value	330,00	1,50	12,80	20,20	60,00
	W1 (mm)	W2 (mm)	W3 (mm)	W3 (mm)	Material
Tolerance	+ 2,0	max.	min.	max.	
Value	24,40	30,40	23,90	27,40	Polystyrene

Pull of Force:



ORDER SAMPLES **SIMULATE IN REDEXPERT**



Cautions and Warnings:

The following conditions apply to all goods within the product series of WA-SMSA of Würth Elektronik eiSos GmbH & Co. KG:

General:

- This mechanical component was designed and manufactured for use in general electronic equipment.
- Würth Elektronik must be asked for written approval (following the PPAP procedure) before incorporating the components into any equipment in fields such as military, aerospace, aviation, nuclear control, submarine, transportation (automotive control, train control, ship control), transportation signal, disaster prevention, medical, public information network, etc. where higher safety and reliability are especially required and/or if there is the possibility of direct damage or human injury.
- Mechanical components that will be used in safety-critical or high-reliability applications, should be pre-evaluated by the customer.
- The component is designed and manufactured to be used within the datasheet specified values. If the usage and operation conditions specified in the datasheet are not met, the component surface may be damaged or dissolved.
- Do not drop or impact the components, the component may be damaged.
- Würth Elektronik products are qualified according to international standards. Würth Elektronik does not warrant any customer qualified product characteristics beyond Würth Elektronik's specifications, for its validity and sustainability over time.
- The responsibility for the applicability of the customer specific products and use in a particular customer design is always within the authority of the customer. All technical specifications for standard products do also apply to customer specific products.

Product Specific:

Soldering:

- The solder profile must comply with the Würth Elektronik technical soldering specification. All other profiles will void the warranty.
- All other soldering methods are at the customers' own risk.

Cleaning and Washing:

- Washing agents used during the production to clean the customer application might damage or change the characteristics of the component. Washing agents may have a negative effect on the long-term functionality of the product.
- Using a brush during the cleaning process may damage the component. Therefore, we do not recommend using a brush during the PCB cleaning process.

Potting:

- If the product is potted in the customer application, the potting material might shrink or expand during and after hardening. Shrinking could lead to an incomplete seal, allowing contaminants into the components. Expansion could damage the components. We recommend a manual inspection after potting or coating to avoid these effects.

Storage Conditions:

- A storage of Würth Elektronik products for longer than 12 months is not recommended. Therefore, all products shall be used within the period of 12 months based on the day of shipment.
- Do not expose the components to direct sunlight.
- The storage conditions in the original packaging are defined according to DIN EN 61760-2.
- The storage conditions stated in the original packaging apply to the storage time and not to the transportation time of the components.

Packaging:

- The packaging specifications apply only to purchase orders comprising whole packaging units. If the ordered quantity exceeds or is lower than the specified packaging unit, packaging in accordance with the packaging specifications cannot be ensured.

Handling:

- The maximum permissible torques must be observed to prevent mechanical destruction of the component and PCB.
- It may occur that the hole and/or the thread is not completely coated. Stains and/or deposits may arise during rinsing and drying the component. The soldering, storage and holding forces are not affected thereby.
- Violation of the technical product specifications will void the warranty.
- The temperature rise of the component must be taken into consideration. The operating temperature is comprised of ambient temperature and temperature rise of the component. The operating temperature of the component shall not exceed the maximum temperature specified.

These cautions and warnings comply with the state of the scientific and technical knowledge and are believed to be accurate and reliable. However, no responsibility is assumed for inaccuracies or incompleteness.

[ORDER
SAMPLES](#)[SIMULATE IN
REDEXPERT](#)

Important Notes

The following conditions apply to all goods within the product range of Würth Elektronik eiSos GmbH & Co. KG:

1. General Customer Responsibility

Some goods within the product range of Würth Elektronik eiSos GmbH & Co. KG contain statements regarding general suitability for certain application areas. These statements about suitability are based on our knowledge and experience of typical requirements concerning the areas, serve as general guidance and cannot be estimated as binding statements about the suitability for a customer application. The responsibility for the applicability and use in a particular customer design is always solely within the authority of the customer. Due to this fact it is up to the customer to evaluate, where appropriate to investigate and decide whether the device with the specific product characteristics described in the product specification is valid and suitable for the respective customer application or not.

2. Customer Responsibility related to Specific, in particular Safety-Relevant Applications

It has to be clearly pointed out that the possibility of a malfunction of electronic components or failure before the end of the usual lifetime cannot be completely eliminated in the current state of the art, even if the products are operated within the range of the specifications. In certain customer applications requiring a very high level of safety and especially in customer applications in which the malfunction or failure of an electronic component could endanger human life or health it must be ensured by most advanced technological aid of suitable design of the customer application that no injury or damage is caused to third parties in the event of malfunction or failure of an electronic component. Therefore, customer is cautioned to verify that data sheets are current before placing orders. The current data sheets can be downloaded at www.we-online.com.

3. Best Care and Attention

Any product-specific notes, cautions and warnings must be strictly observed. Any disregard will result in the loss of warranty.

4. Customer Support for Product Specifications

Some products within the product range may contain substances which are subject to restrictions in certain jurisdictions in order to serve specific technical requirements. Necessary information is available on request. In this case the field sales engineer or the internal sales person in charge should be contacted who will be happy to support in this matter.

5. Product R&D

Due to constant product improvement product specifications may change from time to time. As a standard reporting procedure of the Product Change Notification (PCN) according to the JEDEC-Standard inform about minor and major changes. In case of further queries regarding the PCN, the field sales engineer or the internal sales person in charge should be contacted. The basic responsibility of the customer as per Section 1 and 2 remains unaffected.

6. Product Life Cycle

Due to technical progress and economical evaluation we also reserve the right to discontinue production and delivery of products. As a standard reporting procedure of the Product Termination Notification (PTN) according to the JEDEC-Standard we will inform at an early stage about inevitable product discontinuance. According to this we cannot guarantee that all products within our product range will always be available. Therefore it needs to be verified with the field sales engineer or the internal

sales person in charge about the current product availability expectancy before or when the product for application design-in disposal is considered. The approach named above does not apply in the case of individual agreements deviating from the foregoing for customer-specific products.

7. Property Rights

All the rights for contractual products produced by Würth Elektronik eiSos GmbH & Co. KG on the basis of ideas, development contracts as well as models or templates that are subject to copyright, patent or commercial protection supplied to the customer will remain with Würth Elektronik eiSos GmbH & Co. KG. Würth Elektronik eiSos GmbH & Co. KG does not warrant or represent that any license, either expressed or implied, is granted under any patent right, copyright, mask work right, or other intellectual property right relating to any combination, application, or process in which Würth Elektronik eiSos GmbH & Co. KG components or services are used.

8. General Terms and Conditions

Unless otherwise agreed in individual contracts, all orders are subject to the current version of the "General Terms and Conditions of Würth Elektronik eiSos Group", last version available at www.we-online.com.

[ORDER
SAMPLES](#)[SIMULATE IN
REDEXPERT](#)