

### Description

- 2.0 x 1.2mm SMD crystal in a hermetically sealed ceramic package with an electro-beam sealed metal lid. Suitable for real time clock applications.
- Model IQXC-25
- Model Issue number 5

### Frequency Parameters

- Frequency 32.7680kHz
- Frequency Tolerance  $\pm 10.00\text{ppm}$
- Tolerance Condition @25°C  $\pm 5^\circ\text{C}$
- Operating Temperature Range -40.00 to 85.00°C
- Overtone Order Fundamental
- Ageing  $\pm 3\text{ppm}$  max per year @25°C
- Frequency Stability Coefficient: -0.03  $\pm 0.01\text{ppm}/^\circ\text{C}^2$
- Drive Level: 0.1  $\mu\text{W}$  recommended,  $\pm 0.5\mu\text{W}$  max
- Motional Capacitance (C1): 6.5fF typ

### Electrical Parameters

- Load Capacitance (CL) 9.00pF
- Shunt Capacitance (C0) 1.3pF typ, 1.7pF max
- ESR **\*\*\*See Technical Notes\*\*\***

### Environmental Parameters

- Storage Temperature Range: -55 to 125°C
- Shock: IEC 60068-2-27: 1000g, 1ms, 3 times in each of the 3 mutually perpendicular planes.
- Vibration: IEC 60068-2-6: 1.5mm amplitude, 10Hz~55Hz, 1 minute in 3 mutually perpendicular planes for the total of 6 hours (2 hours in each plane).

### Manufacturing Details

- RoHS Terminations Au over Ni over W base
- RoHS Reflow Temp 260°C max for 5 seconds

### Compliance

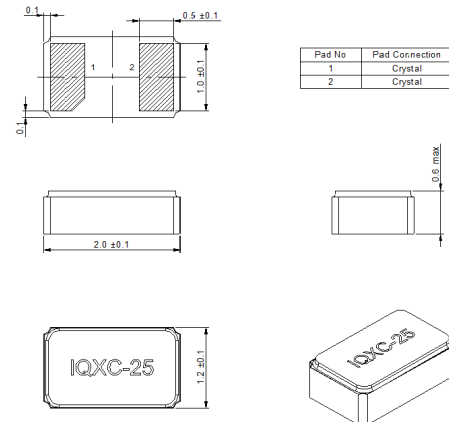
- RoHS Status (2015/863/EU) Compliant
- REACH Status Compliant
- MSL Rating (JDEC-STD-033): Not Applicable

### Packaging Details

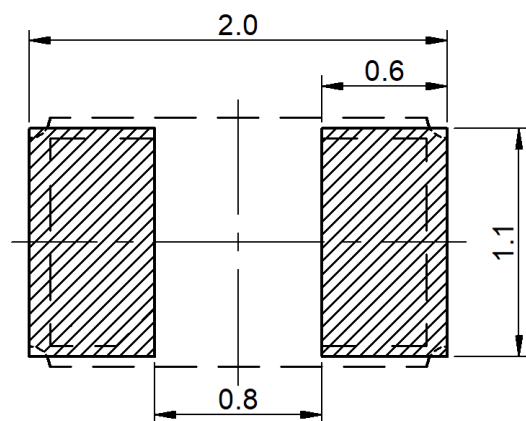
- Tape & reel in accordance with EIA-481
- Quantities below the standard reel size to be supplied on cut tape.
- Standard Quantity: 3,000 Pieces



### Outline (mm)



### Recommended Solder Pad Layout



### CONTACT INFORMATION:

Würth Elektronik eiSos GmbH & Co. KG  
Max-Eyth-Str. 1, 74638 Waldenburg, Germany  
Tel: +49(0) 7942 945-0

Email: eiSos@we-online.de  
Web: www.we-online.com

### USEFUL LINKS

**Toolbox:**

[www.we-online.com/toolbox](http://www.we-online.com/toolbox)

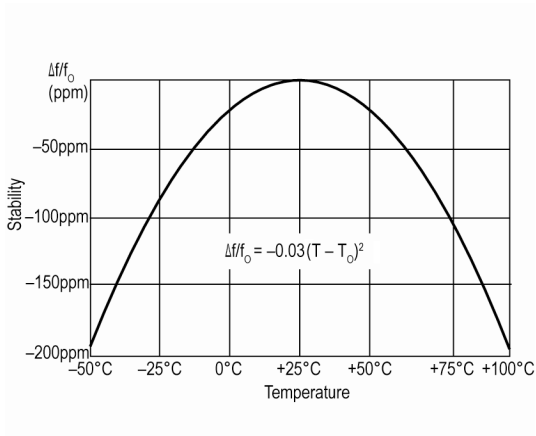
**Product Catalog:**

[www.we-online.com/products](http://www.we-online.com/products)

#### Technical Notes

- ESR 70k Ohms max

#### Typical Frequency Stability Characteristics



#### CONTACT INFORMATION:

Würth Elektronik eiSos GmbH & Co. KG  
Max-Eyth-Str. 1, 74638 Waldenburg, Germany  
Tel: +49(0) 7942 945-0

Email: [eiSos@we-online.de](mailto:eiSos@we-online.de)  
Web: [www.we-online.com](http://www.we-online.com)