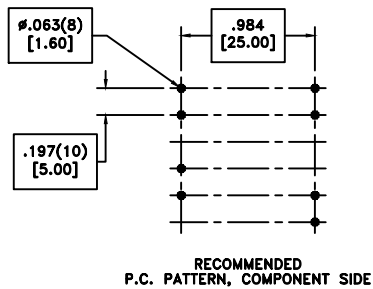
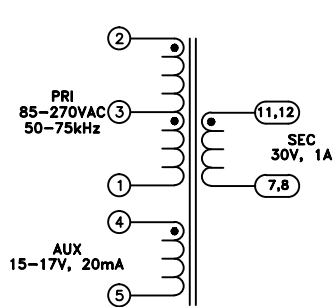
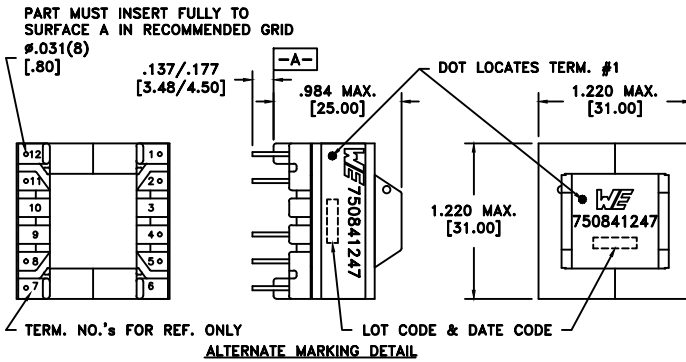


CUSTOMER TERMINAL	RoHS	LEAD(Pb)-FREE
Sn96%, Ag4%	Yes	Yes

more than your expect



**ELECTRICAL SPECIFICATIONS @ 25°C unless otherwise noted:**

PARAMETER	TEST CONDITIONS	VALUE
D.C. RESISTANCE	1-2 @20°C	0.554 ohms max.
D.C. RESISTANCE	4-5 @20°C	0.320 ohms max.
D.C. RESISTANCE	7-11 tie(7+8,11+12), @20°C	0.031 ohms max.
INDUCTANCE	2-1 50kHz, 100mVAC, Ls	480uH ±10%
SATURATION CURRENT	20% rolloff from initial	3.5A
LEAKAGE INDUCTANCE	2-1 tie(4+5+7+8+11+12) 100kHz, 100mVAC, Ls	10.0 uH max.
DIELECTRIC	2-7 tie(2+4, 7+8) 3750VAC, 1 second	3000VAC, 1 minute
DIELECTRIC	7-core tie(7+8), 3750VAC, 1 second	3000VAC, 1 minute
DIELECTRIC	2-4 1875VAC, 1 second	1500VAC, 1 minute
TURNS RATIO	(2-1):(4-5)	6.67:1, ±2%
TURNS RATIO	(2-1):(11-7), tie(7+8, 11+12)	3.50:1, ±2%

**GENERAL SPECIFICATIONS:**

OPERATING TEMPERATURE RANGE: -40°C to +125°C including temp rise.

Designed to comply with the following requirements as defined by IEC60950-1,  
- Reinforced insulation for a primary circuit at a working voltage of 400VDC.

Wire insulation & RoHS status not affected by wire color.  
Wire insulation color may vary depending on availability.

REFERENCE DESIGN

REV. 03	DATE 7/14	Packaging Specifications Method: Tray		Tolerances unless otherwise specified: Angles: ±1°      Decimals: ±.005 [.13] Fractions: ±1/64      Footprint: ±.001 [.03]	DRAWING TITLE <b>TRANSFORMER</b>	PART NO. <b>750841247</b>
02	6/14	PKG-0872				
01	6/14	www.we-online.com/midcom	CONVENTION PLACEMENT	This drawing is dual dimensioned. Dimensions in brackets are in millimeters.	eiSos p/n: <b>750841247</b>	
00	4/14	SEE REVISION SHEET FOR REVISION LEVEL	REVISION LEVEL			