

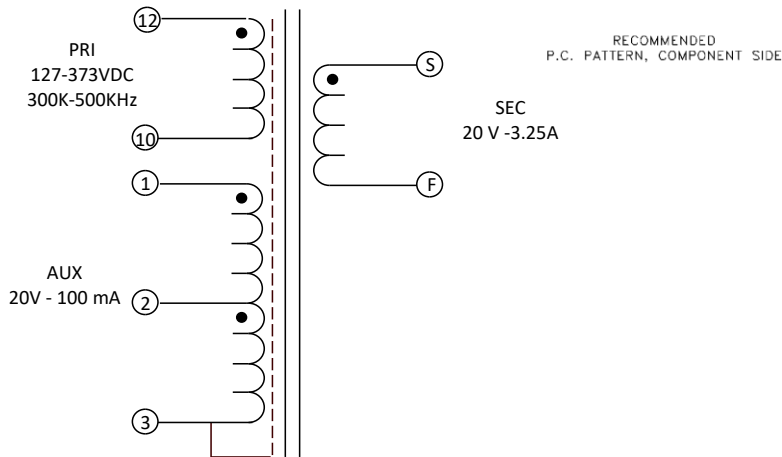
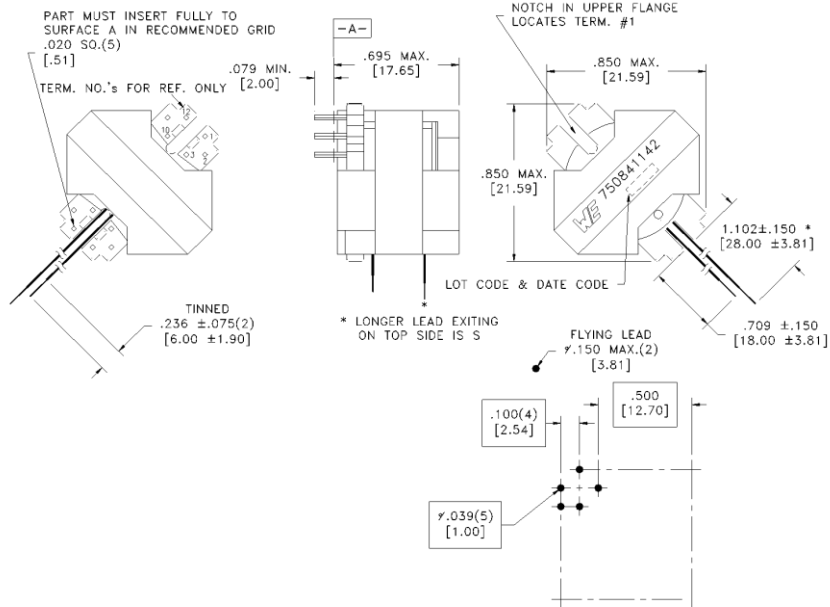
CUSTOMER TERMINAL	RoHS	LEAD(Pb)--FREE
Sn 96%, Ag 4%	Yes	Yes

more than you expect



ELECTRICAL SPECIFICATIONS @ 25° C unless otherwise noted:

PARAMETER	TEST CONDITIONS	VALUE
D.C. RESISTANCE	12-10 @20°C	0.09 ohms max.
D.C. RESISTANCE	1-2 @20°C	0.37 ohms max.
D.C. RESISTANCE	2-3 @20°C	0.18 ohms max.
D.C. RESISTANCE	S-F @20°C	8 mohms max.
INDUCTANCE	12-10 10kHz, 100mV, Ls	75.00µH ±10%
LEAKAGE INDUCTANCE	12-10 tie(1+2+3+S+F), 100kHz, 100mV, Ls	3µH max.
DIELECTRIC	12-S tie(1+12), 3750VAC, 1 second	3000VAC, 1 minute
DIELECTRIC	S-CORE 3750VAC, 1 second	3000VAC, 1 minute
URNS RATIO	(12-10):(S-F)	6.67:1
URNS RATIO	(12-10):(1-2)	2.86:1
URNS RATIO	(12-10):(2-3)	6.67:1



GENERAL SPECIFICATIONS:

OPERATING TEMPERATURE RANGE: -40°C to +125°C including temp rise.

Designed to comply with the following requirements as defined by IEC62368-1, EN62368-1, UL62368-1/CSA62368-1 and AS/NZS62368.1:

- Reinforced insulation for a primary circuit at a working voltage of 265Vrms, 400Vpeak, OVC II, Pollution Degree 2.

Wire insulation & RoHS status not affected by wire color. Wire insulation color may vary depending on availability. Marking method, font and color may vary on preproduction samples.

DFM	Packaging Specifications	 CONVENTION PLACEMENT	Tolerances unless otherwise specified: Angles: ±1° Decimals: ±.005 [.13] Fractions: ±1/64 Footprint: ±.001 [.03]	DRAWING TITLE TRANSFORMER	PART NO. 750841142
DATE	Method: Tray		This drawing is dual dimensioned. Dimensions in brackets are in millimeters.		
ENG	PKG-1137				
REV.	00				
DATE	2022/7/6	www.we-online.com/midcom	SPECIFICATION SHEET 1 OF 1		