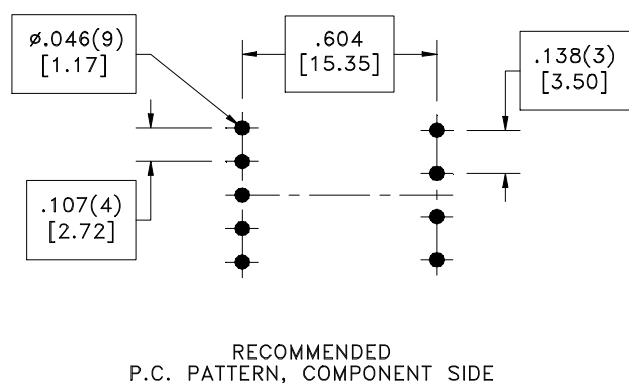
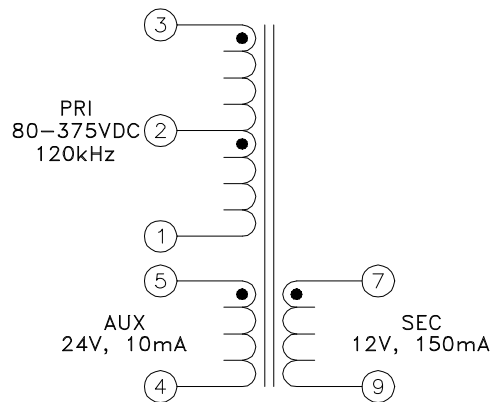
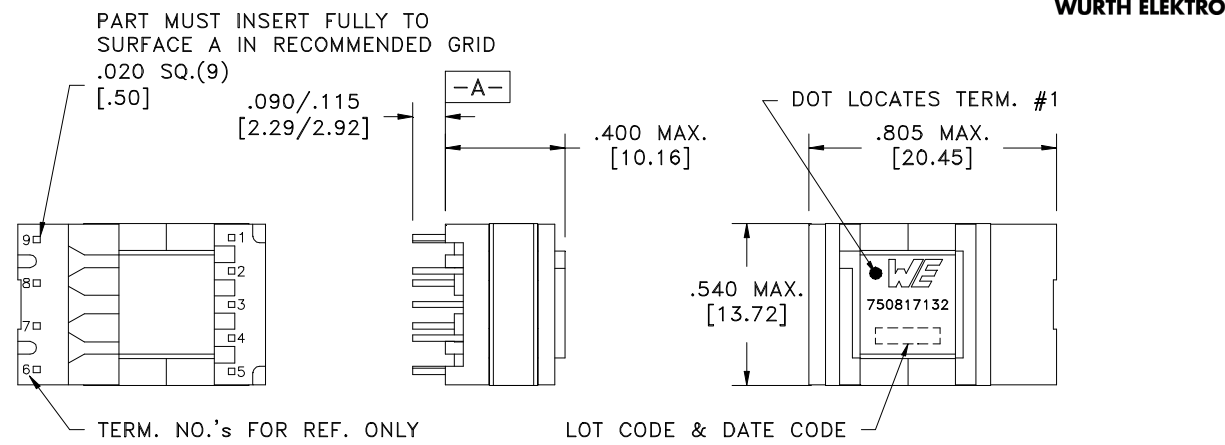


CUSTOMER TERMINAL	RoHS	LEAD(Pb)-FREE
Sn96%, Ag4%	Yes	Yes



**ELECTRICAL SPECIFICATIONS @ 25°C unless otherwise noted:**

D.C. RESISTANCE (@20°C):	3-1 , 6.83 Ohms ±10%.
	7-9 , 0.330 Ohms ±10%.
	5-4 , 2.53 Ohms ±10%.
DIELECTRIC RATING:	4000VAC for 1 second between pins 1-9 (tie 3+4).
INDUCTANCE:	2.20 mH ±10%, 10kHz, 100mVAC, 0mADC, 3-1, Ls.
LEAKAGE INDUCTANCE:	22µH nom., 33µH max., 100kHz, 100mVAC, 3-1(tie 5+4, 7+9), Ls.
SATURATION CURRENT:	340mA saturating current that causes 20% rolloff from initial inductance.
URNS RATIO:	( 3-1 ):( 7-9 ) , ( 6 ):(1.00) , ±1%.
	( 3-1 ):( 5-4 ) , ( 3 ):(1.00) , ±1%.

SP 10/16/12

Designed to comply with the following requirements as defined by IEC60950-1, EN60950-1, UL60950-1/CSA60950-1 and AS/NZS60950.1:  
 - Reinforced insulation for a primary circuit at a working voltage of 400VDC.

OPERATING TEMPERATURE RANGE: -40°C to 125°C including temp. rise.

Wire insulation & RoHS status not affected by wire color. Wire insulation color may vary depending on availability. T\_0\_5662

<b>Würth Electronics Midcom Inc.</b>  Watertown, SD USA Toll Free: 800-643-2661 Fax: 605-886-4486	Unless otherwise specified, tolerances are as follows: Angles: ±1°    Fractions: ±1/64 Decimals: ±.005(.127mm)    Footprint: ±.001(.03mm)		<b>more than you expect</b>	
	Drawing Title <h1>Transformer</h1>		Drawing Number <h1>750817132</h1>	Rev. <h1>01</h1>
This drawing is dual dimensioned. Dimensions in brackets are in millimeters		Revisions: See Sheet 1		Scale ----    Spec Sheet 1 of 1
Engineer: JJB			10/24/2012	