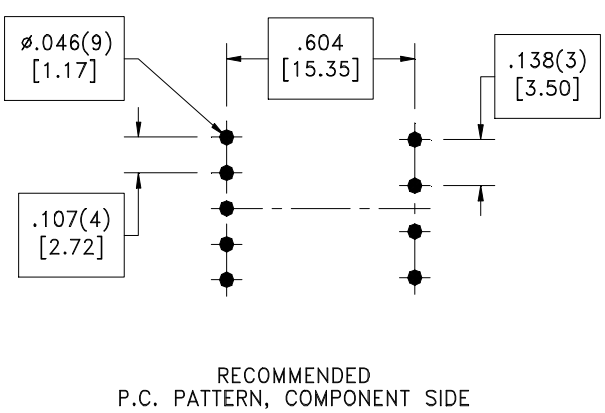
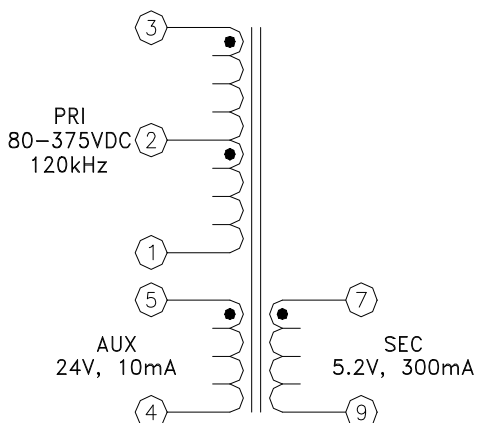
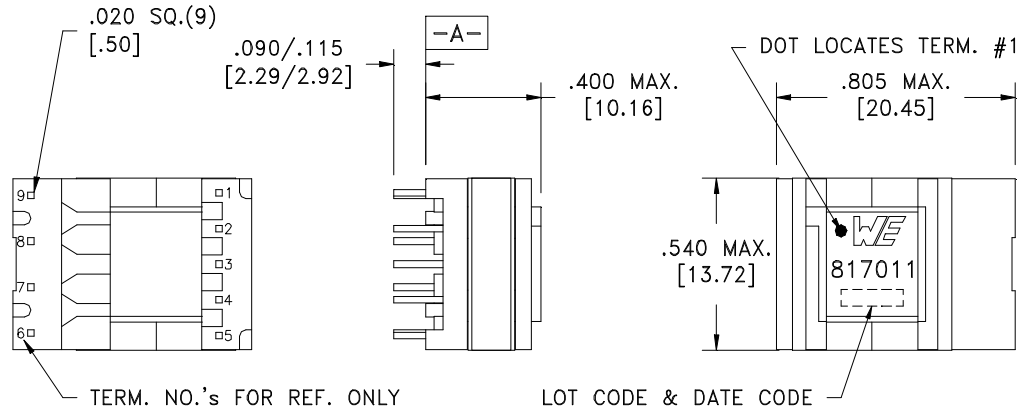


CUSTOMER TERMINAL	RoHS	LEAD(Pb)-FREE
Sn96%, Ag4%	Yes	Yes



PART MUST INSERT FULLY TO SURFACE A IN RECOMMENDED GRID



ELECTRICAL SPECIFICATIONS @ 25°C unless otherwise noted:

D.C. RESISTANCE (@20°C):	3-1 , 6.74 Ohms ±10%. 7-9 , 0.082 Ohms ±10%. 5-4 , 2.45 Ohms ±10%.
DIELECTRIC RATING:	3000VAC, 1 minute tested by applying 4000VAC for 1 second between pins 1-9 (tie 3+4).
INDUCTANCE:	2.20 mH ±10%, 10kHz, 100mVAC, 0mADC, 3-1, Ls.
LEAKAGE INDUCTANCE:	20µH nom., 30µH max., 100kHz, 100mVAC, 3-1(tie 5+4, 7+9), Ls.
TURNS RATIO:	(3-1):(7-9) , (13):(1.00) , ±1%. (3-1):(5-4) , (3):(1.00) , ±1%.
SATURATION CURRENT:	330mA saturating current that causes 20% rolloff from initial inductance.

Designed to comply with the following requirements as defined by IEC60950-1, EN60950-1, UL60950-1/CSA60950-1 and AS/NZS60950.1:
- Reinforced insulation for a primary circuit at a working voltage of 400VDC.

OPERATING TEMPERATURE RANGE: -40°C to 125°C including temp. rise.

Wire insulation & RoHS status not affected by wire color. Wire insulation color may vary depending on availability. T_0_5662

Würth Electronics Midcom Inc. Watertown, SD USA Toll Free: 800-643-2661 Fax: 605-886-4486	Unless otherwise specified, tolerances are as follows: Angles: ±1° Fractions: ±1/64 Decimals: ±.005(.127mm) Footprint: ±.001(.03mm)		more than you expect	
	Drawing Title <h1>Transformer</h1>		Drawing Number <h2>750817011</h2>	Rev. 00
This drawing is dual dimensioned. Dimensions in brackets are in millimeters		Revisions: See Sheet 1		Scale ---- Spec Sheet 1 of 1
Engineer: JJB			02/27/2013	