

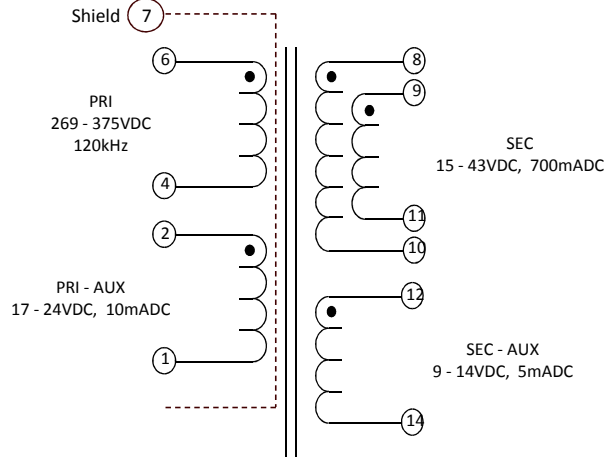
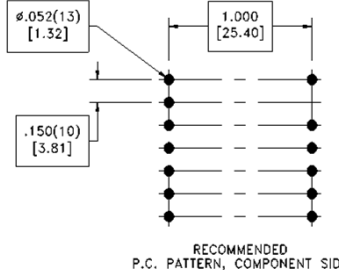
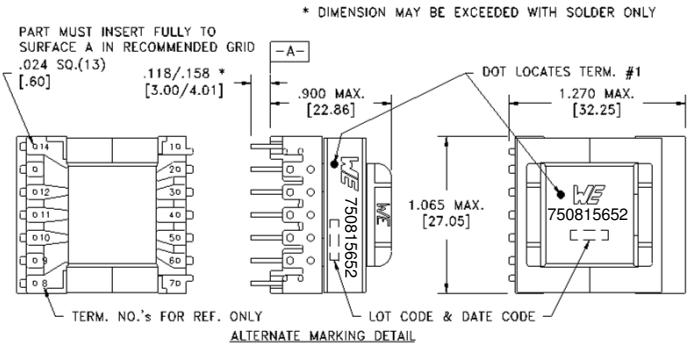
CUSTOMER TERMINAL	RoHS	LEAD(Pb)--FREE
Sn 96%, Ag 4%	Yes	Yes

more than you expect



**ELECTRICAL SPECIFICATIONS @ 25° C unless otherwise noted:**

PARAMETER	TEST CONDITIONS	VALUE
D.C. RESISTANCE	6-4 @20°C	0.530 ohms ±10%
D.C. RESISTANCE	2-1 @20°C	0.088 ohms ±10%
D.C. RESISTANCE	12-14 @20°C	0.029 ohms ±20%
D.C. RESISTANCE	8-11 tie(8+9,10+11), @20°C	0.070 ohms ±10%
INDUCTANCE	6-4 100kHz, 100mV, Ls	700µH ±10%
SATURATION CURRENT	6-4 20% rolloff from initial	2.1A
LEAKAGE INDUCTANCE	6-4 tie(1+2,8+9+10+11+12+14), 100kHz, 100mV, Ls	23µH typ., 35µH max.
DIELECTRIC	1-14 tie(2+4,6+7,10+11+12), 3750VAC, 1 second	3000VAC, 1 minute
DIELECTRIC	4-1 625VAC, 1 second	500VAC, 1 minute
DIELECTRIC	4-7 625VAC, 1 second	500VAC, 1 minute
DIELECTRIC	2-7 625VAC, 1 second	500VAC, 1 minute
URNS RATIO	(6-4):(2-1)	15.2:1, ±2%
URNS RATIO	(6-4):(12-14)	25.33:1, ±2%
URNS RATIO	(6-4):(8-11), tie(8+9,10+11)	3.8:1, ±2%



Application of the transformer allows for the leadwires between terminals 8&9 and 10&11 to solder bridge.  
Customer to tie terminals 8+9 and 10+11 on PC board.

Wire insulation & RoHS status not affected by wire color. Wire insulation color may vary depending on availability.

**GENERAL SPECIFICATIONS:**

OPERATING TEMPERATURE RANGE: -40°C to +125°C including temp rise.

Designed to comply with the following requirements as defined by IEC60950-1, EN60950-1, UL60950-1/CSA60950-1 and AS/NZS60950.1:

- Reinforced insulation for a primary circuit at a working voltage of 265Vrms, 400Vpeak, Overvoltage Category II.

REFERENCE DESIGN

DFM		Packaging Specifications	 CONVENTION PLACEMENT	Tolerances unless otherwise specified: Angles: ±1°    Decimals: ±.005 [.13] Fractions: ±1/64    Footprint: ±.001 [.03]	DRAWING TITLE	PART NO.
DATE		Method: Tray		This drawing is dual dimensioned. Dimensions in brackets are in millimeters.	<b>TRANSFORMER</b>	<b>750815652</b>
ENG	EJK	PKG-0737				
REV.	03					
DATE	6/23/2017	www.we-online.com/midcom				SPECIFICATION SHEET 1 OF 1